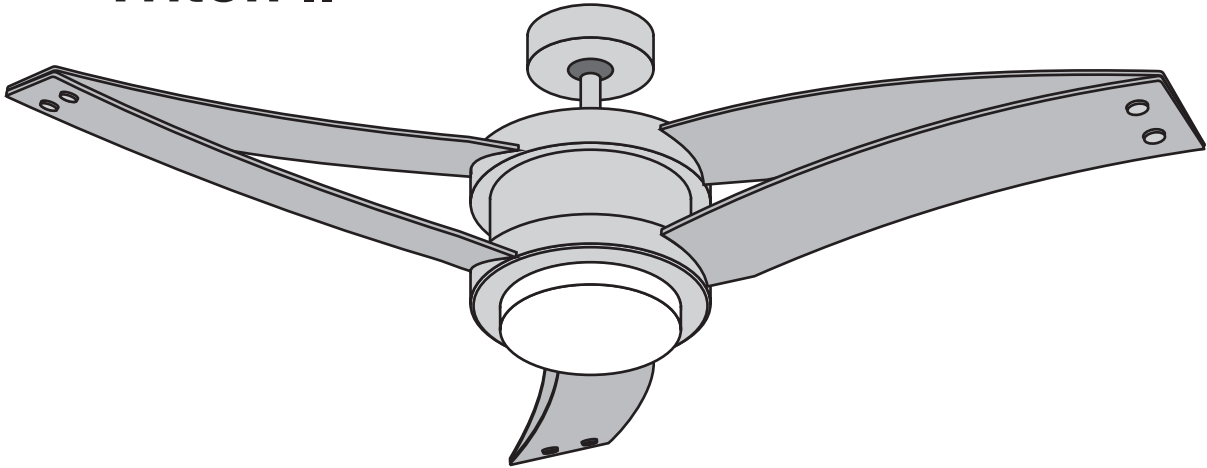


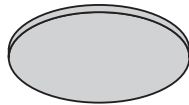
Owner's Manual



Triton II



Model No: 52DFD-L



Cover for non-light option

This instructions contains 5 pages:

Page 1: Foreword

Page 2: Unpack and inspect parts contained, and pre-installation notes

Page 3: Hanging system installation and remote setting

Page 4: Wire connection and Canopy installation

Page 5: Blade and Light/Cover installation

Net Weight

9.7 KGS

21.4 LBS

Toll Free 1-855-676-7247

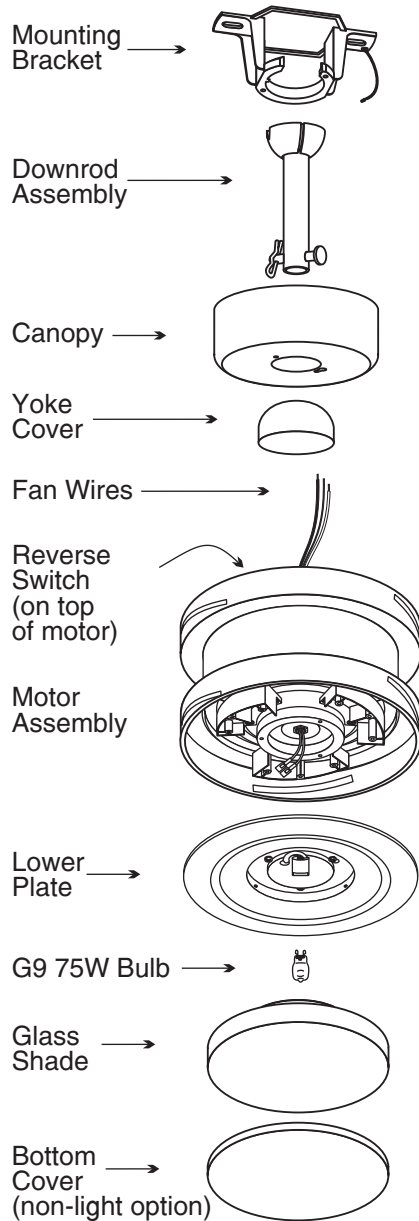
WARNING: Read and follow these instructions carefully and be mindful of all warnings shown throughout.

READ AND SAVE THESE INSTRUCTIONS

WARNING : TO REDUCE THE RISK OF FIRE, ELECTRICAL SHOCK, OR INJURY TO PERSONS, PLEASE OBSERVE THE FOLLOWING:






- 1.] To ensure success of installation, be sure read these instructions and review the diagrams thoroughly before beginning.
- 2.] **To avoid possible electric shock, be sure electricity is turned off at the main power box before wiring.**
All electrical connections must be made in accordance with local codes, ordinances and/or the National Electrical Code. If you are unfamiliar with the methods of installing electrical wiring and products, secure the services of a qualified and licensed electrician as well as someone who can check the strength of the supportive ceiling members and make the proper installations and connections.
- 3.] Make sure that your installation site will not allow rotating fan blades to come into contact with any object. Blades should be at least 7 feet from the floor when fan is in operation.
- 4.] If possible, mount ceiling fan on a ceiling joist - the joist must be able to support the motion and weight of the moving fan. If the fan will be mounted on a ceiling outlet box, a 4" x 2 - 1/8" deep METAL octagon box is required; one UL listed as "suitable for fan support". The box and its supporting members must not be able to twist or work loose. **DO NOT USE PLASTIC BOXES.** Installation on a concrete ceiling should be performed by qualified personnel.
- 5.] Blades should be attached after motor housing is hung and in place. Fan motor housing should be kept in carton until ready to be installed to protect its finish. If you are installing more than one ceiling fan, make sure that you do not mix fan blade sets.
- 6.] After making electrical connections, spliced conductors should be turned upward and pushed carefully up into the outlet box. The wires should be spread apart with the grounded conductor and the equipment-grounding conductor on one side of the outlet box and the "HOT" wires on the other side.
- 7.] Electrical diagrams are for reference only. Light kits that are not packed with the fan must be UL/ETL listed and should be installed per the light kit's installation instructions.
- 8.] After fan is completely installed, check to make sure that all connections are secure to prevent fan from falling and/or causing damage or injury.
- 9.] The fan can be made to work immediately after installation. The bearings are adequately charged with grease, so that, under normal conditions, further lubrication should not be necessary.
- 10.] The fan must be turned off and stopped before reversing fan direction.
- 11.] This fan is suitable for sloped ceiling.
- 12.] This fan is electrically reversible.
- 13.] This fan includes an optional light kit.
- 14.] This fan is controlled by remote control.
- 15.] This fan is suitable for indoor use.

Unpack and inspect fan carefully to be certain all contents are included.



Hardware Bag




For Mounting Bracket:

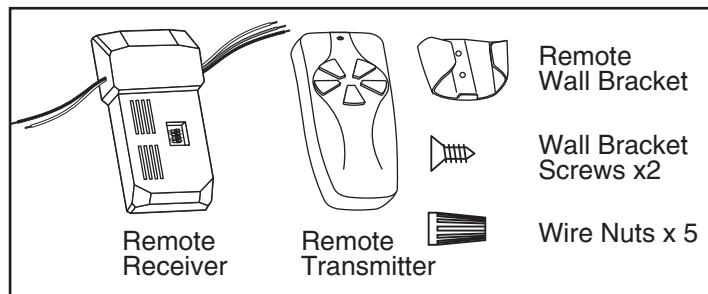
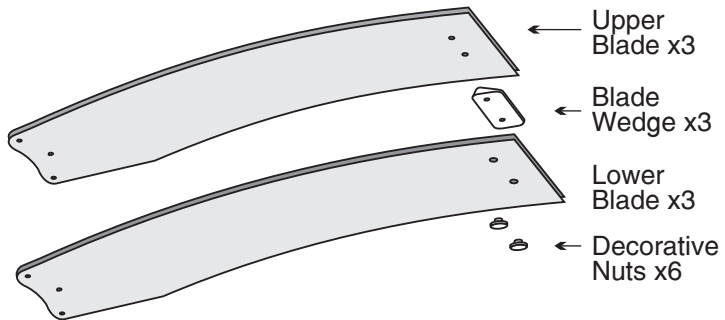
- Flat Washer x2 
- Star Washer x2 
- Spring Washer x2 
- Machine Screw x2 
- Wood Screw x2 

For Wire Connection

- Wire Nut x3 

For Blade Installation

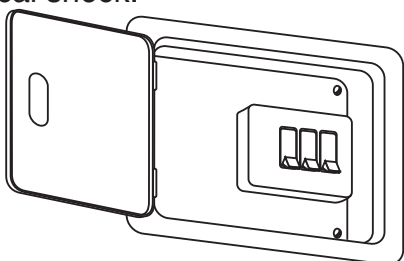
- Blade Screw x24 +1 
- Blade Washer x24 +1 
- Countersink Screws x6 +1 



WARNING: blades should be at least 7 feet from floor

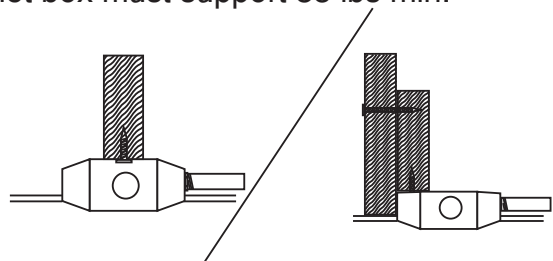
Note 1:

Turn off power at breaker box to avoid possible electrical shock.



Note 2:

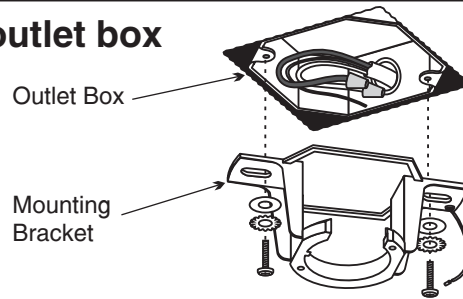
Use metal outlet box suitable for fan support. Outlet box must support 35 lbs min.



1. HANGING SYSTEM INSTALLATION

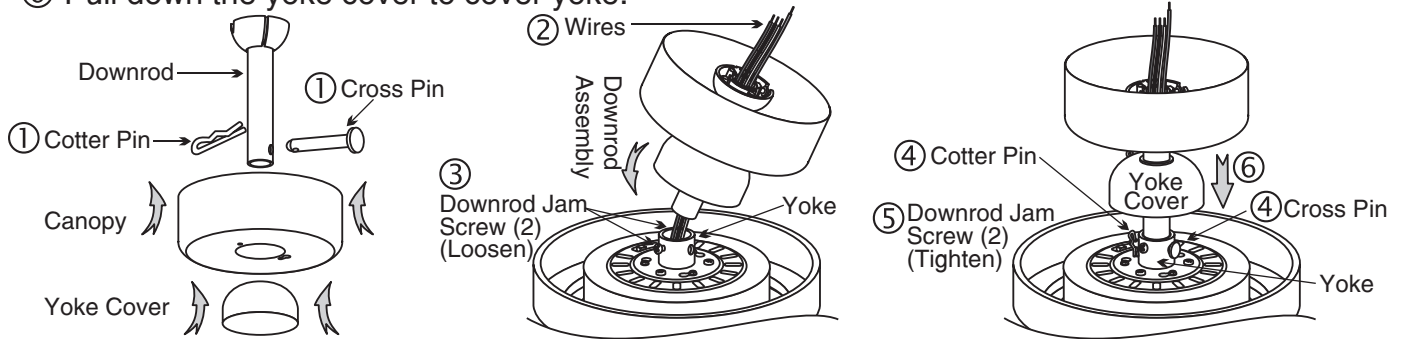
1A. Installing mounting bracket to ceiling outlet box

Install mounting bracket to outlet box in ceiling by using screws included with the outlet box and washers from the hardware bag.



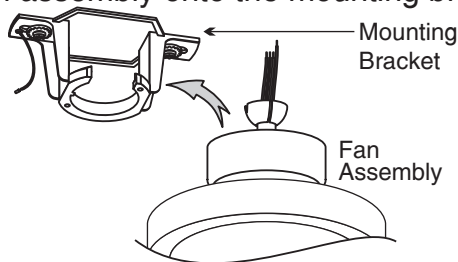
1B. Installing Downrod and Yoke

- 1 Remove cross pin and cotter pin from downrod
- 2 Insert downrod through canopy and yoke cover, and feed motor wires through downrod.
- 3 Loosen 2 downrod jam screws at yoke. Insert downrod assembly into yoke.
- 4 Insert the cross pin through yoke & downrod and secure with cotter pin.
- 5 Tighten both downrod jam screws to further secure downrod.
- 6 Pull down the yoke cover to cover yoke.

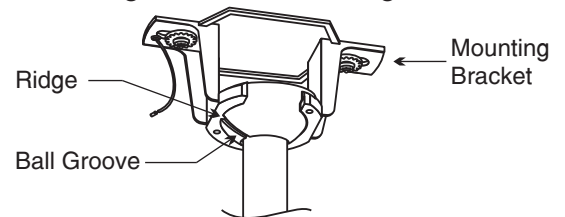


1C. Hanging the fan

Lift fan assembly onto the mounting bracket.



Rotate the fan so that the groove on the ball engages the ridge on the mounting bracket.



2. REMOTE SETTING

2. Setting code switch for remote control

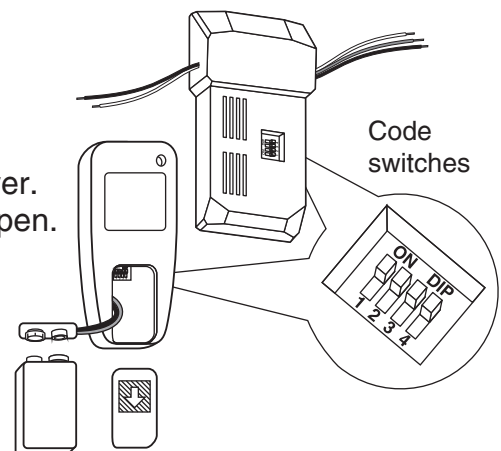
Remote controls are tuned to operate together using 4 switches for 16 possible code combinations.

1. Setting the code on the RECEIVER:

- 1 Code switch is located in small window on face of receiver.
- 2 Slide code switch using a small screwdriver or ballpoint pen.
(Slide each switch firmly up or down.)

2. Setting the code on the TRANSMITTER:

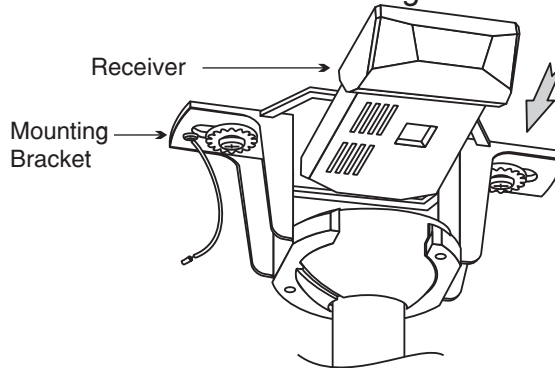
- 1 Remove battery cover.
- 2 Slide code switch to match code used on receiver unit
- 3 Install 9V DC battery (included).
- 4 Install battery cover



3. WIRING CONNECTION

3A. Insert receiver into mounting bracket

Note: Do not squeeze all the wires while inserting the receiver into the mounting bracket.

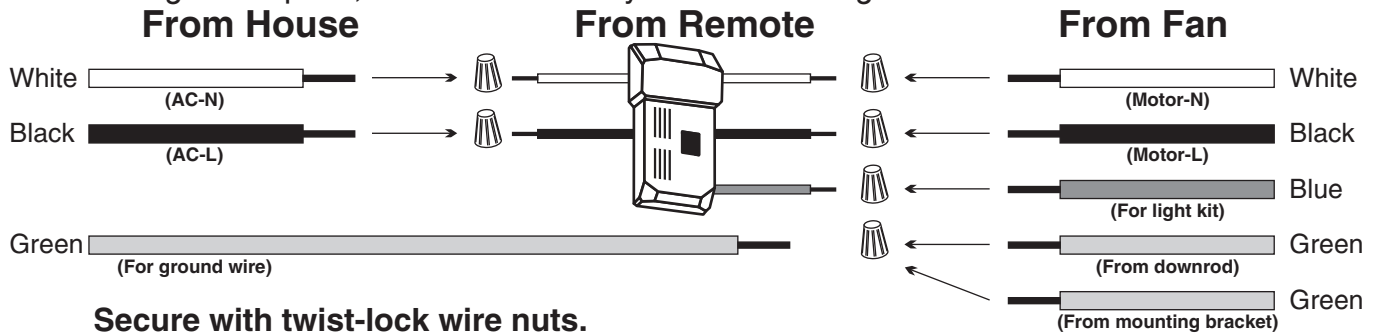


3B. Making electrical wire connection

Follow diagram below and make sure that all exposed wires are secured inside wire nuts.

Note: Wires from house may vary in color and may not include ground wire (green).

After wiring is complete, collect wires neatly inside mounting bracket.



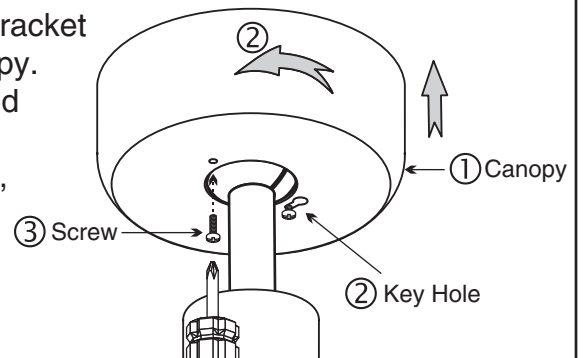
4. CANOPY INSTALLATION

4. Installing the canopy

Note: Two screws are pre-installed on mounting bracket for canopy installation.

You will need to remove one and loosen the other slightly.

- ① Push up canopy until the screw still in the mounting bracket is engaged with the large end of the keyhole on canopy.
- ② Rotate canopy slightly until the screw head is engaged in the narrow end of the key hole.
- ③ Insert the remaining canopy screw into the other hole, and tighten both canopy screws.

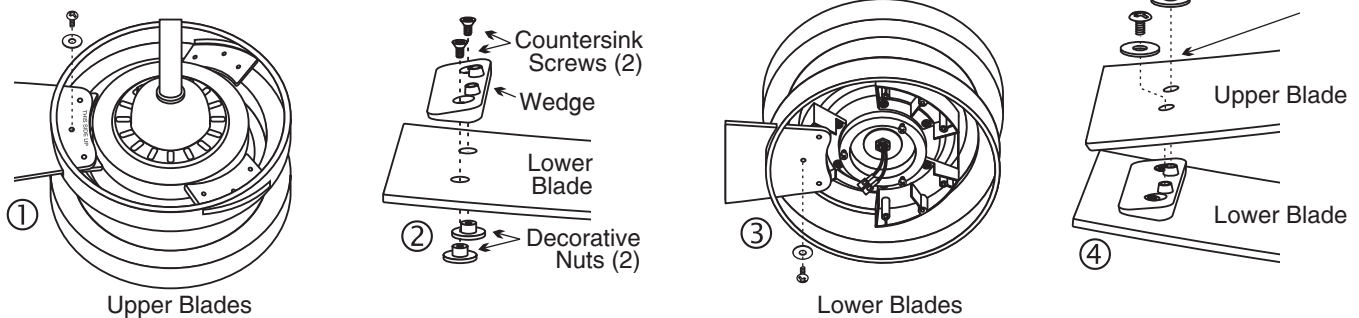


5. BLADE INSTALLATION

5. Installing the blades

Tip: Upper blades are shorter than the lower blades.

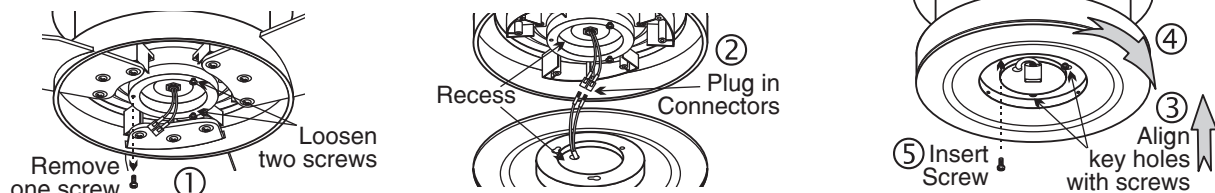
- ① Slide upper blade into upper slot of motor and secure with blade screws and washers. Repeat for remaining upper blades.
- ② Secure wedge to top face of lower blade with countersink screws and decorative caps.
- ③ Slide lower blade into lower slot and secure with blade screws and washers. Repeat for remaining lower blades.
- ④ Align holes in upper blade with posts of wedge, snap them together and secure with two blade screws and washers.



6. LOWER PLATE INSTALLATION

6. Installing the lower plate

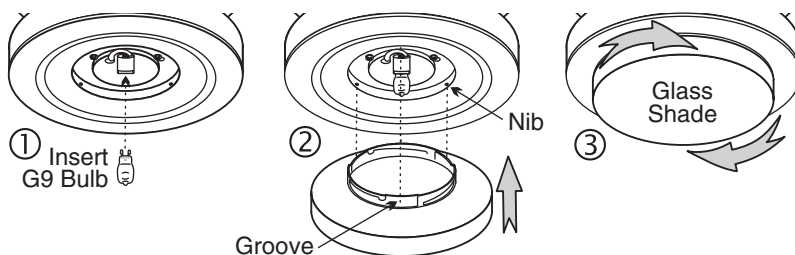
- ① Remove one screw and loosen two screws from the central hub.
- ② Plug in electrical connectors. Nest wires carefully into recess while you...
- ③ Lift plate to motor to engage the large end of the key holes with the screws.
- ④ Rotate the plate slightly to engage two screws in small ends of key holes.
- ⑤ Insert screw removed in step 1 and tighten all three screws.



7. LIGHT/COVER INSTALLATION

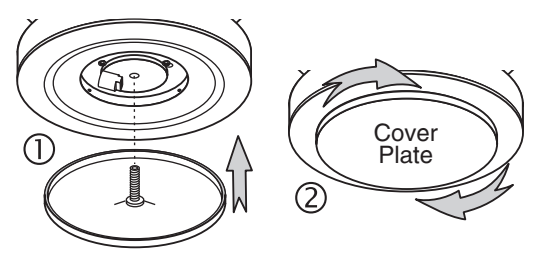
7A. Installing the light (option)

- ① Insert the G9 Bulb (75W) into socket.
- ② Lift glass to motor aligning the grooves in the neck of the glass to the nibs inside the lower plate.
- ③ Rotate glass clockwise to secure it to motor assembly.



7B. Installing the Cover Non-light option

- ① Lift cover to motor, aligning threaded post with center hole.
- ② Rotate cover clockwise to secure it to motor assembly.



TURN POWER ON AT THE BREAKER