

READ AND SAVE THESE INSTRUCTIONS

Renaissance HC-1930

Thank you for purchasing a Gulf Coast Fans Inc. product. It will provide years of cost efficient comfort. With over a decade of experience in ensuring quality workmanship at an affordable price, we stand behind our product and we hope you will too.

IMPORTANT PRECAUTIONS

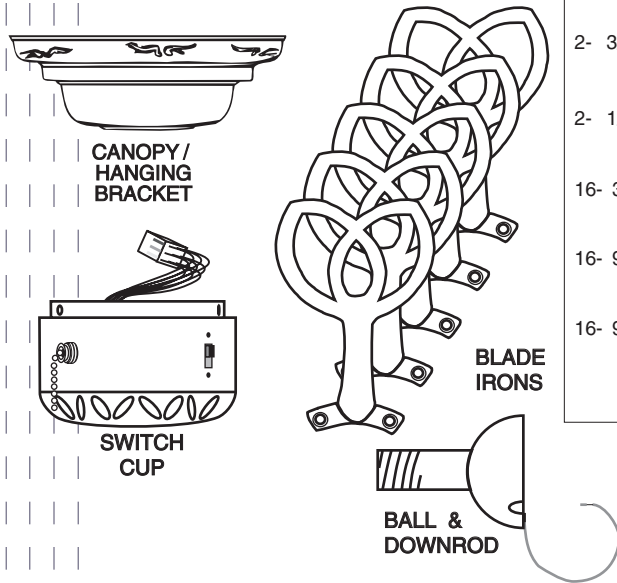
- 1** Read these instructions carefully before you start.
- 2** Turn off the power at the source before installation, servicing, or cleaning.
- 3** WARNING--TO REDUCE THE RISK OF FIRE OR ELECTRIC SHOCK, DO NOT USE THIS FAN WITH ANY SOLID STATE SPEED CONTROL DEVICE. USE ONLY GULF COAST CONTROLS.
- 4** WARNING--TO REDUCE THE RISK OF PERSONAL INJURY, DO NOT BEND THE BLADE IRONS WHEN INSTALLING ON BLADES, BALANCING THE BLADES, OR CLEANING THE FAN. DO NOT INSERT FOREIGN OBJECTS IN BETWEEN ROTATING FAN BLADES.
- 5** WARNING--TO REDUCE THE RISK OF FIRE, ELECTRIC SHOCK, OR PERSONAL INJURY, MOUNT FAN TO AN OUTLET BOX MARKED "ACCEPTABLE FOR FAN SUPPORT" AND USE THE MOUNTING SCREWS PROVIDED WITH THE OUTLET BOX.
- 6** If you don't feel comfortable hanging and wiring this fan, we recommend that you hire a qualified electrician to install it.
- 7** All wiring and electrical connections must meet the National Electrical Code and any local codes that may apply.
- 8** After installation, fan blades must be at least seven (7) feet from the floor.

To begin with, the site of installation must be clear of any obstructions. Walls, cabinet or cupboard doors, and AC/heating vents (strong air currents will cause fan to wobble) are common obstructions. Also, you will need a securely mounted outlet box that is listed for fan support.

The only tools you will need are : A medium Phillips screwdriver, common sense, and a little caution.

I. Inventory the parts. Remove all of the parts from the top styrofoam and remove the styrofoam. Use this top piece to support the fan during preliminary assembly.

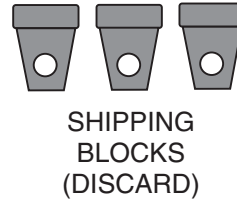
A. Remove all parts from plastic bags,



Screw Package

2- 3/16"-12x2" Wood Screws		2- 1/8"-32x1/4" Canopy Screws	
2- 3/8" Star Washers		3- Wirenuts	
2- 1/2" Flat Washers		11- Motor Screws	
16- 3/16"-32x5/16" Blade Screws		1- Pull Chain Knob	
16- 9/16" Metal Washers			
16- 9/16" Rubber Washers			

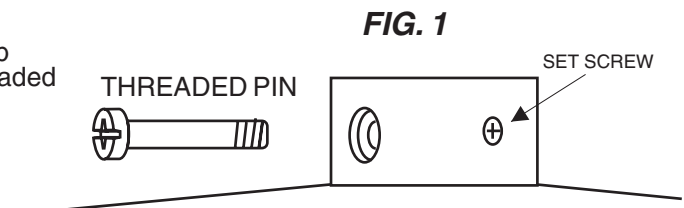
B. Remove the three motor screws with shipping blocks from motor. Discard the shipping blocks.



C. Remove the three (3) 1/8"-32x1/4" screws from the switch cup plate on motor assembly.

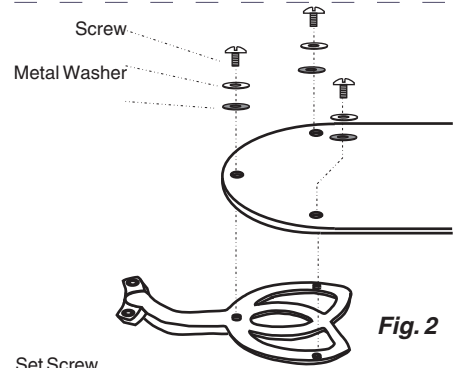


D. Place the motor, switch cup plate down, in top styrofoam. Remove the 1/4"-20x1 3/16" threaded pin from coupler and loosen set screw.

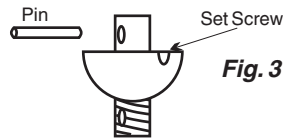


Preliminary Assembly.

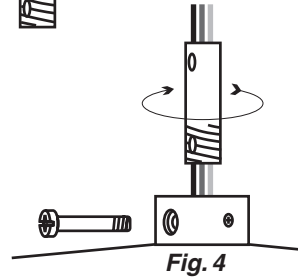
A. Snap together blade and blade iron. Note the side of the blade you want to show. Using the 3/16"-32x5/16" blade screws, and 9/16" metal washers, three of each per blade, secure blade to blade iron. Repeat this procedure with the rest of the blades. You will have at least one screw, one metal washer, and one rubber washer left over, these are spares. Be sure all of the screws are tight. Fig. 2



B.1. Take the ball & downrod and loosen the set screw in the ball. Remove the pin and the ball from the downrod. (If you have a longer downrod, use it now.) See Fig. 3

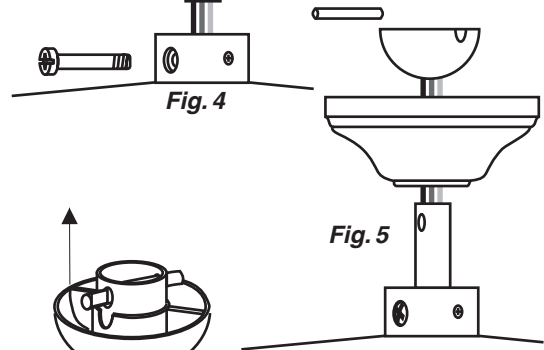


2. Feed the three wires from the top of the fan through the downrod and thread the downrod into the coupler. Align the holes in the downrod with the holes in the coupler. See Fig. 4

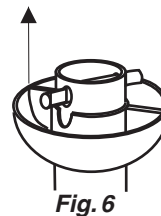


3. Insert the threaded pin and tighten it and the set screw.

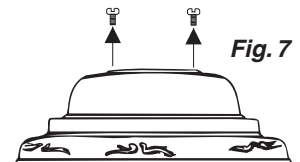
4. Place the canopy around the downrod. Slide the ball onto the downrod and replace pin. See Fig. 5



5. Raise the ball so that the pin is in the slot and tighten the set screw. See Fig. 6



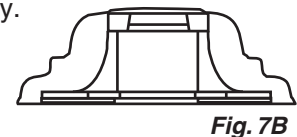
6. Make sure all of the screws are tight. At this time you may want to shorten the wires from the fan to 6" from the ball. This helps when you tuck the wires into outlet box.



C.1. Remove the two (2) 1/8"-32x1/4" canopy screws from hanging bracket. The canopy / hanging bracket should be in two halves. Fig. 7

WARNING - To Reduce The Risk Of Fire, Electric Shock, Or Personal Injury Mount Fan To An Outlet Box Marked "Acceptable For Fan Support" And Use The Mounting Screws Provided With The Outlet Box.

2. Take the bracket half (Fig. 7B.) and secure it to the outlet box (marked Acceptable For Fan Support) using the mounting screws provided with the outlet box. Tighten them evenly.



3. Make sure all of the wires are accessible and are not being pinched. Also, make sure the bracket doesn't wobble.

III. Now to hang the fan motor...

Holding the fan carefully, lift it up to hanging bracket. Place the ball into cradle of the bracket. Turn the entire motor assembly until it locks into place. The tab on the bracket must be in the groove in the ball. Make sure the wires are not being pinched.

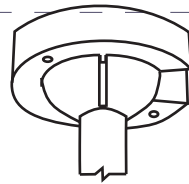


Fig. 8

IV. Wiring methods and instructions.

There are three common wiring methods; choose the one best suited to your needs. Keep in mind, the supply wire colors may vary. (The wire colors in parentheses are commonly found in existing structures.) Use the large orange wirenuts to make the connections. It is a good idea to wire the blue light kit wire now, even if you don't have a light kit. It may save you some trouble in the future.

A. Pull chain operation only.

1. Green ground wires to outlet box ground (bare)
2. Black and blue wires from fan to hot supply (black)
3. White wire from fan to neutral supply (white)

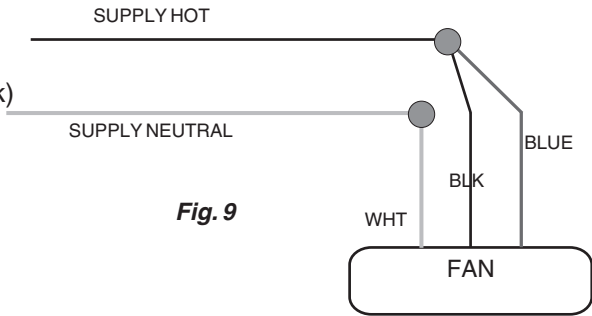


Fig. 9

B. Wall control for both fan and light kit (Read the instructions for the wall control first.)

1. Green ground wires to outlet box ground. (bare)
2. Black wire from fan to (black) wire from fan control.
3. Blue wire from fan to (red) wire from light control.
4. White wire from fan to neutral supply. (white)

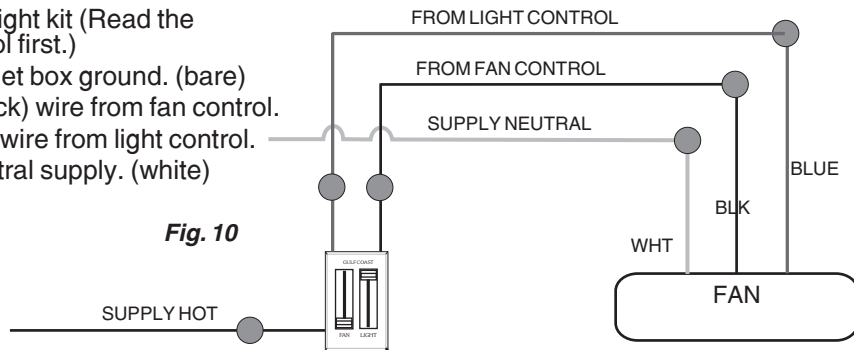


Fig. 10

C. Pull chain operation of fan - Wall control for the light.

1. Green ground wires to outlet box ground. (bare)
2. Black wire from fan to hot supply. (black)
3. Blue wire from fan to (red) wire from wall control.
4. White wire from fan to neutral supply. (white)

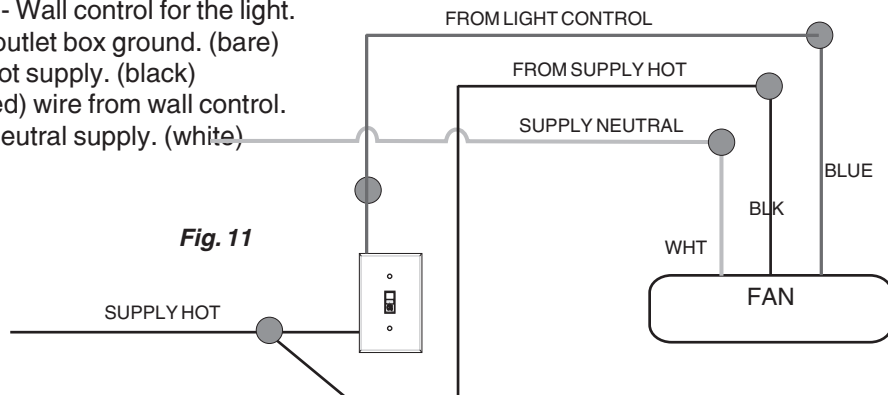


Fig. 11

Now tuck the wires and wirenuts carefully into outlet box. Make sure wirenuts remain tightly on connections.

If you have a Gulf Coast Remote Control, fan should be wired according to method A.

Method B can be used with two separate controls for the fan and light, or with a combination wall control, such as a 423L Gulf Coast control.

V. With the motor in place and the wires out of the way, place the cover half up to the bracket half. Insert the canopy screws into the canopy / hanging bracket and tighten the screws.

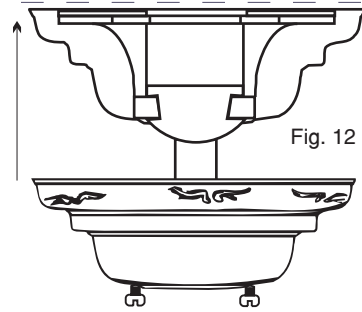


Fig. 12

VI. To avoid scratching the switch cup or damaging the motor, do not run the fan without blades. So, the next step is to mount the blade assemblies on the motor. The easiest way to do this is to insert a motor screw into one hole on the base of the blade iron; hold it in place with a screwdriver and lift blade assembly into place. Fig. 13. Start this screw in an appropriate hole in motor. Now insert another into the other hole and tighten both screws. Repeat this with the rest of the blade assemblies, and retighten all of the screws.

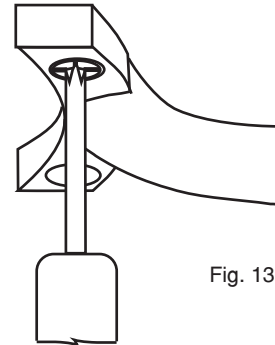


Fig. 13

VII. You're just about done now. The switch cup is the last step, and it's simple. Notice the wire connectors in the switch cup and on the motor. They are color coded and notched to fit only one way. Check the pins in both connectors for alignment as shown in fig. 14. Push the connectors together and make sure none of the pins get pushed out. Position the switch cup on the switch cup plate, aligning the three holes in each. Insert the three switch cup screws and tighten. Fig. 15.

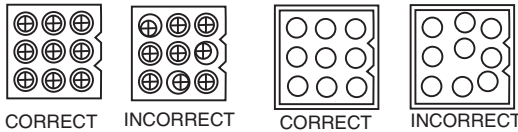


Fig. 14

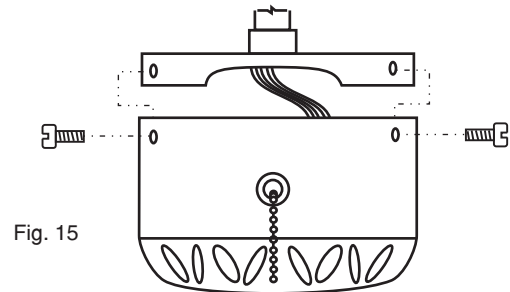


Fig. 15

VIII. Turn the power supply back on and prepare to be comfortable.

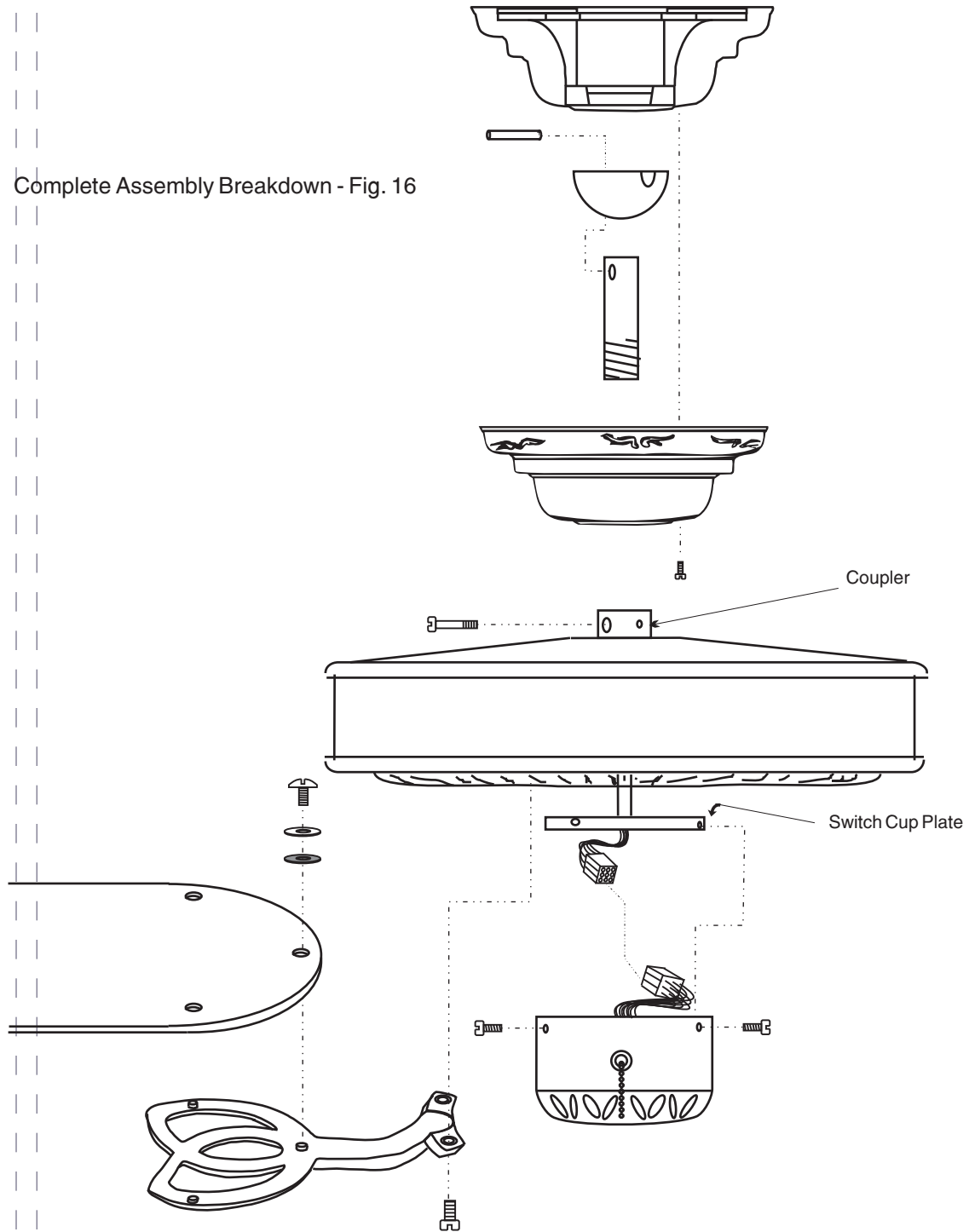
IX. The first pull of the chain will give you high speed. The second is medium speed, and the third is low speed. Once again will turn it off.

With the reverse switch in the down position, the fan will provide downward air movement and positive air flow to cool you in the hot season. In the up position, air movement is upward and will bring heat trapped at the ceiling, down around the rooms walls, warming you in the cold season.

DO NOT ATTEMPT TO REVERSE THE FAN WHILE BLADES ARE IN MOTION

X.		Troubleshooting	
Fan won't run -		Check power supply. Reverse switch is not fully engaged. Pin is pushed out of wire connector in switch cup.	
Fan makes noise - Please allow 24 hrs. running time to fully seat bearings.		Screw(s) is(are) loose somewhere. Ball is not seated properly in hanging bracket. Variable speed control (dimmer) in the fan circuit.	
Fan wobbles -		Bracket is loose at the ceiling. Loose screw at top of fan. Ball is not seated properly in hanging bracket. Try switching opposing blades. Try the blade balancing kit included.	

Complete Assembly Breakdown - Fig. 16



We recommend that you retighten the blade iron to blade screws and blade iron to motor screws after fan has been up for 30 to 60 days.

Gulf Coast Fans, Inc. products are sold at Dan's Fan City stores.
Our service department is always ready to help. We stand behind our product
and always strive to satisfy our customer.

Gulf Coast Fans, Inc.
300 Dunbar Avenue
Oldsmar, Florida 34677
(813)-855-7384