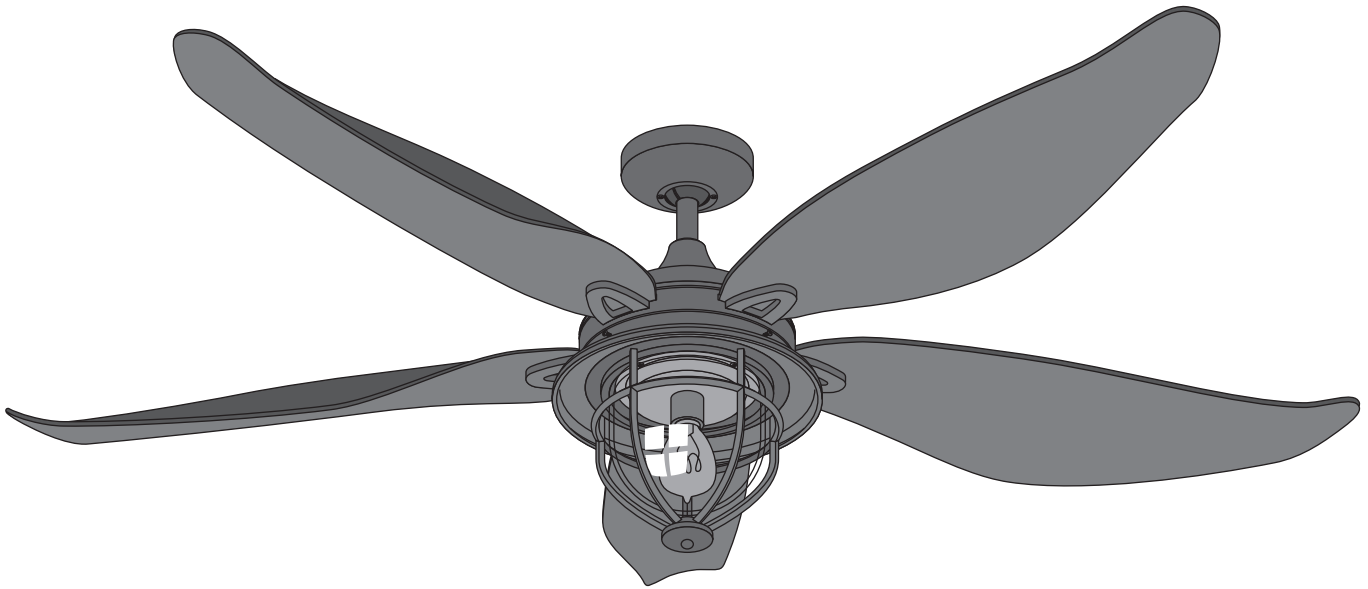


Owner's Manual



St. Augustine



Model No:
59DFG-L
HS-1233-F

These instructions contain 4 pages:

Page 1: Foreword

Page 2: Unpack and inspect parts contained, and pre-installation notes

Page 3: Light /Cover Installation

Page 4: Hanging system installation

Page 5: Wiring connections, Canopy and Blade installation and Remote Setting

Net Weight

8.46 KGS

18.6 LBS

Toll Free 1-855-676-7247

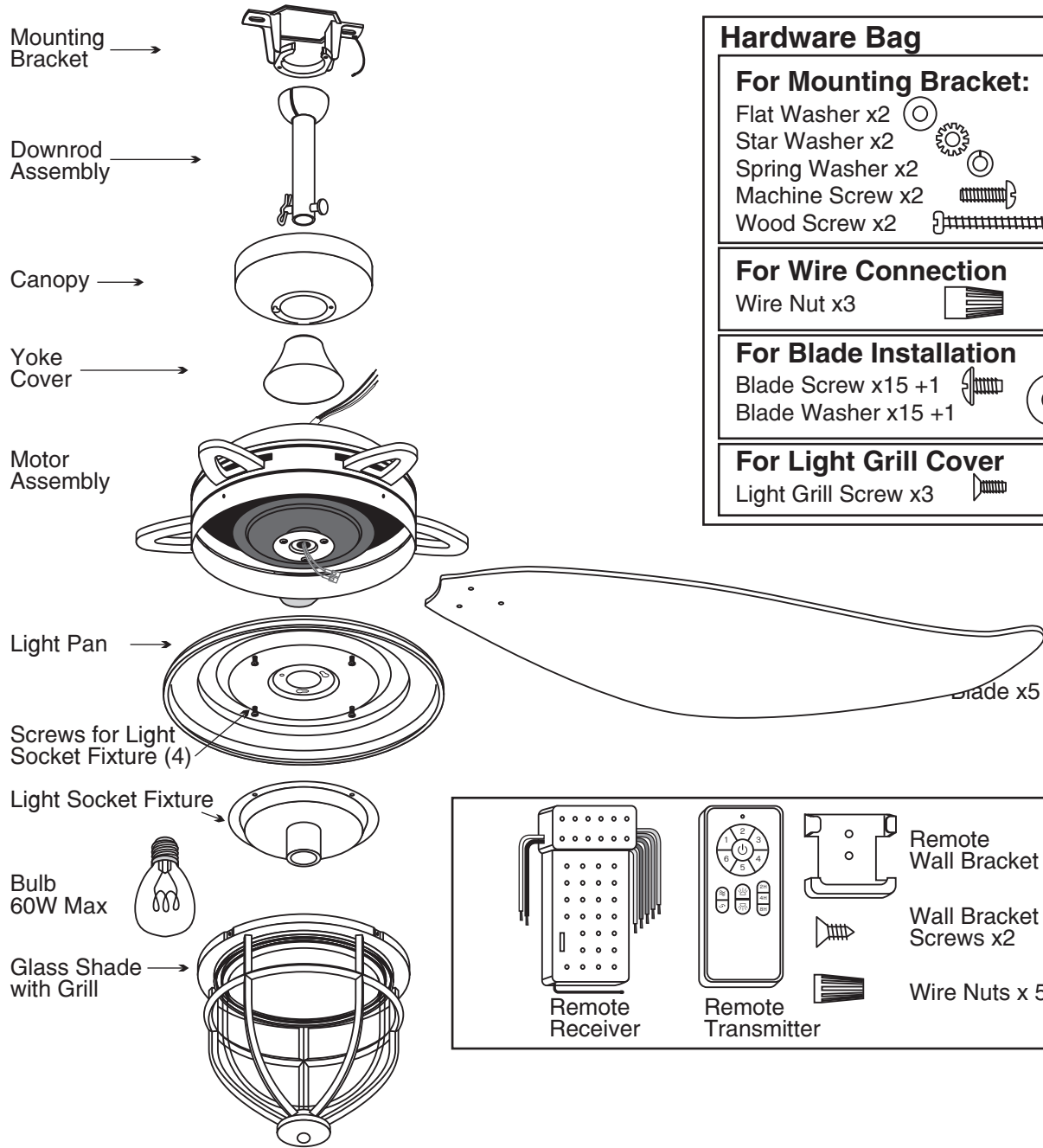
WARNING: Read and follow these instructions carefully and be mindful of all warnings shown throughout.

READ AND SAVE THESE INSTRUCTIONS

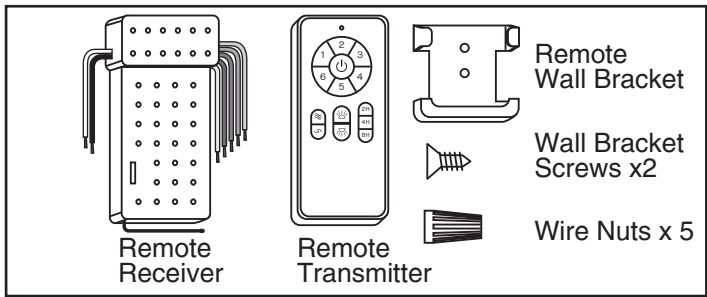
WARNING : TO REDUCE THE RISK OF FIRE, ELECTRICAL SHOCK, OR INJURY TO PERSONS, PLEASE OBSERVE THE FOLLOWING:

- 1.] To ensure success of installation, be sure read these instructions and review the diagrams thoroughly before beginning.
- 2.] **To avoid possible electric shock, be sure electricity is turned off at the main power box before wiring.**
All electrical connections must be made in accordance with local codes, ordinances and/or the National Electrical Code. If you are unfamiliar with the methods of installing electrical wiring and products, secure the services of a qualified and licensed electrician as well as someone who can check the strength of the supportive ceiling members and make the proper installations and connections.
- 3.] Make sure that your installation site will not allow rotating fan blades to come into contact with any object. Blades should be at least 7 feet from the floor when fan is in operation.
- 4.] If possible, mount ceiling fan on a ceiling joist - the joist must be able to support the motion and weight of the moving fan. If the fan will be mounted on a ceiling outlet box, a 4" x 2 1/8" deep METAL octagon box is required; one UL listed as "suitable for fan support". The box and its supporting members must not be able to twist or work loose. **DO NOT USE PLASTIC BOXES.** Installation on a concrete ceiling should be performed by qualified personnel.
- 5.] Blades should be attached after motor housing is hung and in place. Fan motor housing should be kept in carton until ready to be installed to protect its finish. If you are installing more than one ceiling fan, make sure that you do not mix fan blade sets.
- 6.] After making electrical connections, spliced conductors should be turned upward and pushed carefully up into the outlet box. The wires should be spread apart with the grounded conductor and the equipment-grounding conductor on one side of the outlet box and the "HOT" wires on the other side.
- 7.] Electrical diagrams are for reference only. Light kits that are not packed with the fan must be UL/ETL listed and should be installed per the light kit's installation instructions.
- 8.] After fan is completely installed, check to make sure that all connections are secure to prevent fan from falling and/or causing damage or injury.
- 9.] The fan can be made to work immediately after installation. The bearings are adequately charged with grease, so that, under normal conditions, further lubrication should not be necessary.
- 10.] The fan must be turned off and stopped before reversing fan direction.
- 11.] This fan is suitable for sloped ceiling.
- 12.] This fan is electrically reversible.
- 13.] This fan includes an integrated light kit.
- 14.] This fan is controlled by remote control.
- 15.] This fan is suitable for indoor use, and damp location use in the US.

Unpack and inspect fan carefully to be certain all contents are included.

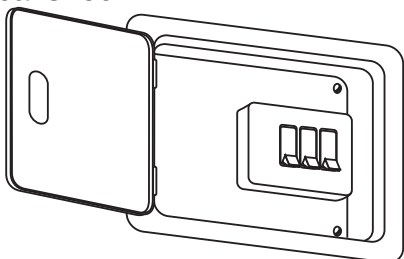


Hardware Bag	
For Mounting Bracket:	
Flat Washer x2	
Star Washer x2	
Spring Washer x2	
Machine Screw x2	
Wood Screw x2	
For Wire Connection	
Wire Nut x3	
For Blade Installation	
Blade Screw x15 +1	
Blade Washer x15 +1	
For Light Grill Cover	
Light Grill Screw x3	

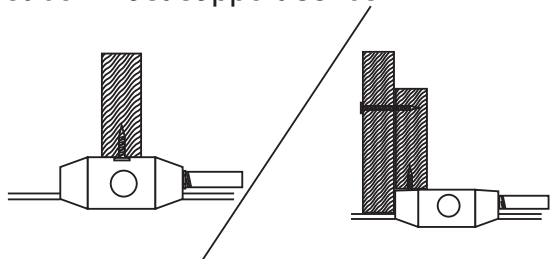


WARNING: blades should be at least 7 feet from floor

Note 1:
Turn off power at breaker box to avoid possible electrical shock.



Note 2:
Use metal outlet box suitable for fan support.
Outlet box must support 35 lbs min.



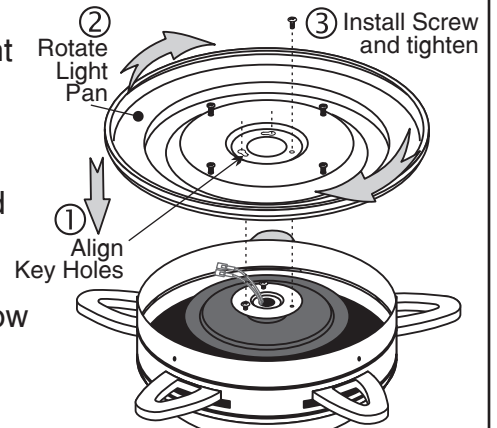
1. LIGHT/COVER INSTALLATION

Hint: Lay the motor assembly on the styrofoam packing with the light wires up,

1A. Installing the Light Pan

Note: Three screws are pre-installed on motor assembly for light pan installation. You will need to remove one and loosen two of these screws.

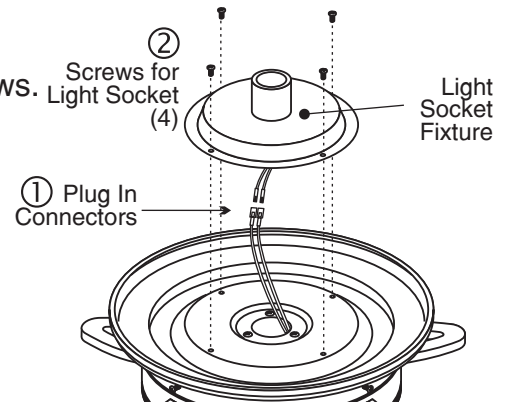
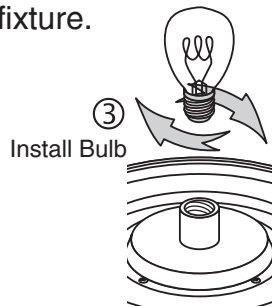
- ① After feeding the light wires through the center hole, lower the Light Pan onto motor assembly aligning the two loosened screws with the large end of the key holes.
- ② Rotate Light Pan slightly so that screws are engaged in narrow end of key holes.
- ③ Install the screw remove earlier and tighten all three screws.



1B. Installing the Light Fixture

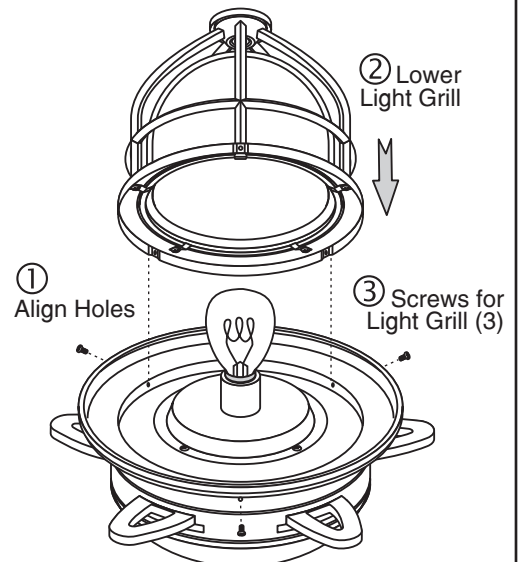
Note: Four screws are pre-installed on Light Pan for light socket fixture installation. You will need to remove these screws.

- ① Plug in wire connectors, matching wire colors.
- ② Secure light socket fixture to motor assembly using four (4) screws for light socket fixture.
- ③ Install the bulb into the socket.



1C. Installing the Light Grill

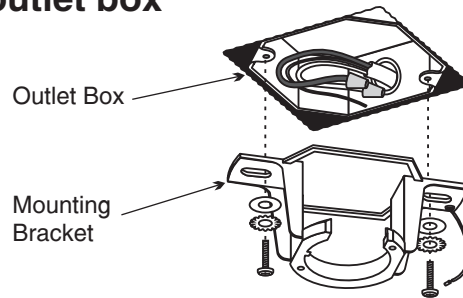
- ① Align three holes in light grill with three holes in motor assembly.
- ② Lower light grill into position.
- ③ Secure light grill to motor assembly using three (3) screws for light cover.



2. HANGING SYSTEM INSTALLATION

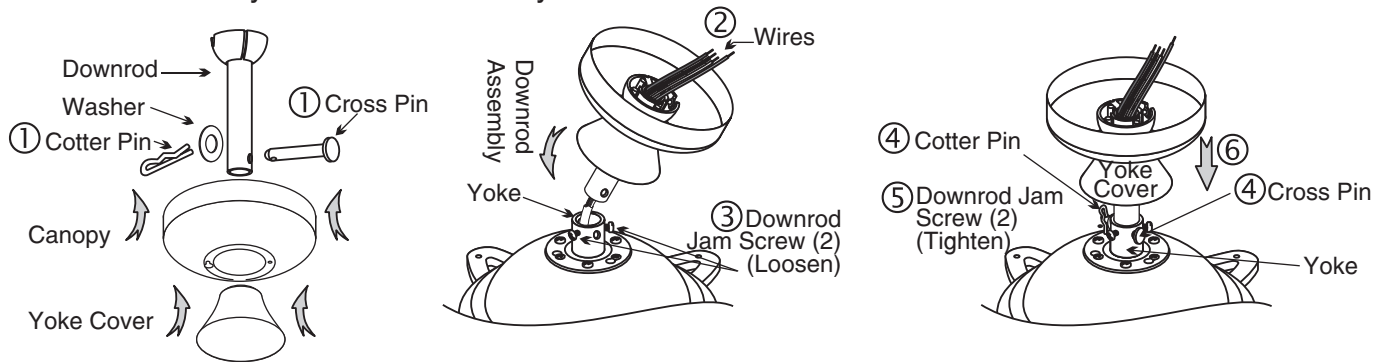
2A. Installing mounting bracket to ceiling outlet box

Install mounting bracket to outlet box in ceiling by using screws included with the outlet box and washers from the hardware bag.



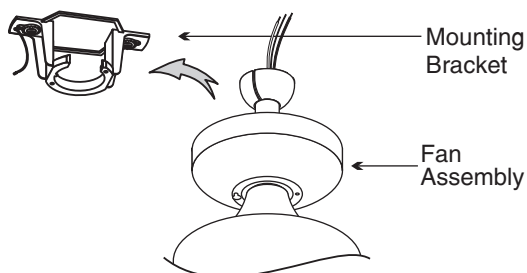
2B. Installing Downrod and Yoke

- ① Remove cross pin, washer and cotter pin from downrod.
- ② Insert downrod through canopy and yoke cover, and feed motor wires through downrod.
- ③ Loosen 2 downrod jam screws at yoke. Insert downrod assembly into yoke.
- ④ Insert the cross pin through yoke & downrod and secure with washer and cotter pin.
- ⑤ Tighten both downrod jam screws to further secure downrod.
- ⑥ Pull down the yoke cover to cover yoke.

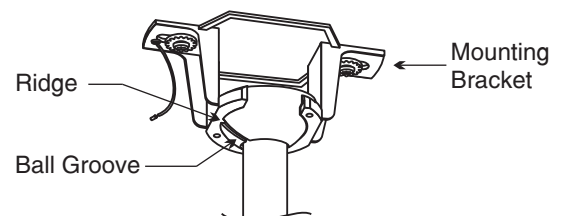


2C. Hanging the fan

Lift fan assembly onto the mounting bracket.



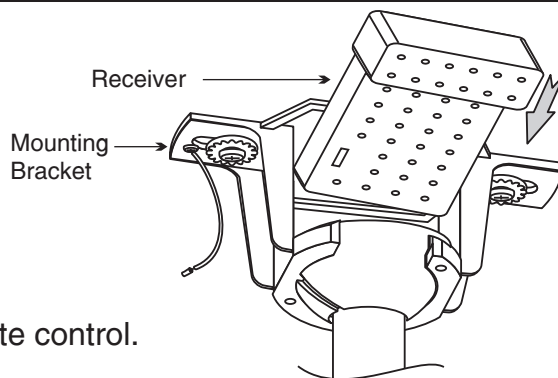
Rotate the fan so that the groove on the ball engages the ridge on the mounting bracket.



3. WIRING CONNECTION

3A. Insert receiver into mounting bracket

Note: Do not squeeze all the wires while inserting the receiver into the mounting bracket.



3B. Making electrical wire connections

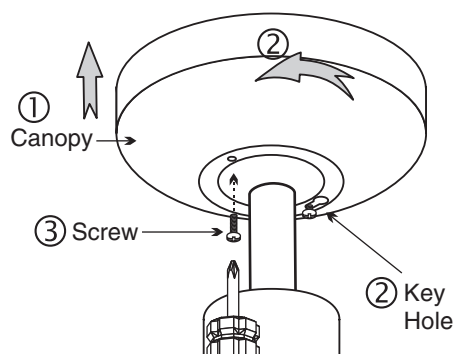
Follow separate instructions enclosed with the remote control.

4. CANOPY INSTALLATION

4. Installing the canopy

Note: Two screws are pre-installed on mounting bracket for canopy installation. You will need to remove one and loosen the other slightly.

- ① Push up canopy until the screw still in the mounting bracket is engaged with the large end of the keyhole on canopy.
- ② Rotate canopy slightly until the screw head is engaged in the narrow end of the key hole.
- ③ Insert the remaining canopy screw into the other hole, and tighten both canopy screws.

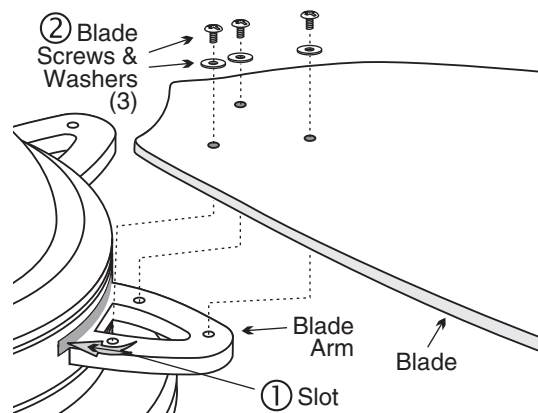


5. BLADE INSTALLATION

5. Installing the blades

- ① Slide blade into a slot in motor above a blade arm.
- ② Secure blade to blade arm using three blade screws and washers.

Repeat for remaining blades and retighten all screws.



6. REMOTE SETTING

6. Setting the Remote Control

Follow the separate instructions enclosed with the remote control.
This fan model has an optional integrated dimmable LED array;
Use the "D" dimming setting for the Light Function Select Switch.

INSTALLATION IS COMPLETE