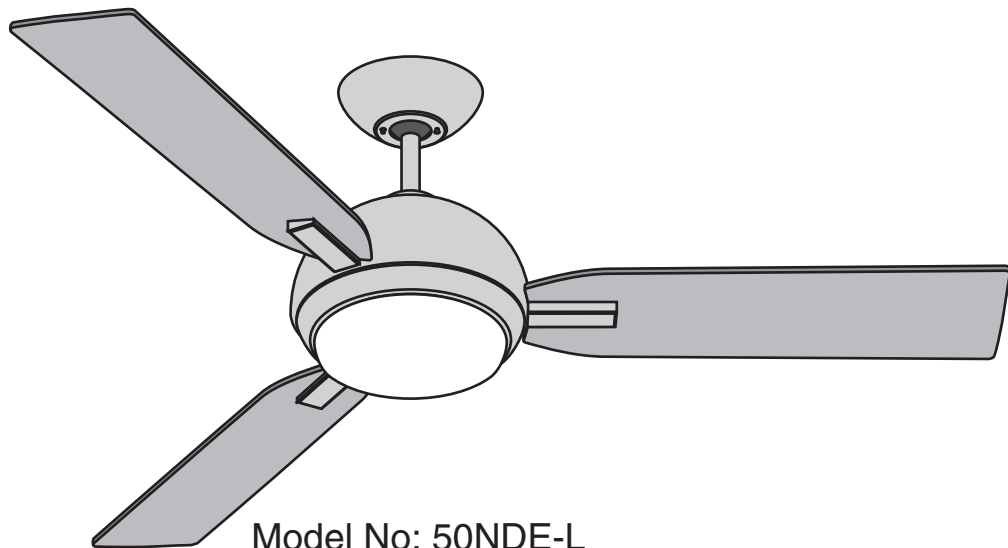


# Owner's Manual



## Enterprise III



Model No: 50NDE-L

These instructions contain 5 pages:

Page 1: Foreword

Page 2: Unpack and inspect parts contained, and pre-installation notes

Page 3: Hanging system installation and Remote setting

Page 4: Wire connection and Canopy installation

Page 5: Blade and Light/Cover installation

Net Weight

7.72 KGS

17.0 LBS

**Toll Free 1-855-676-7247**

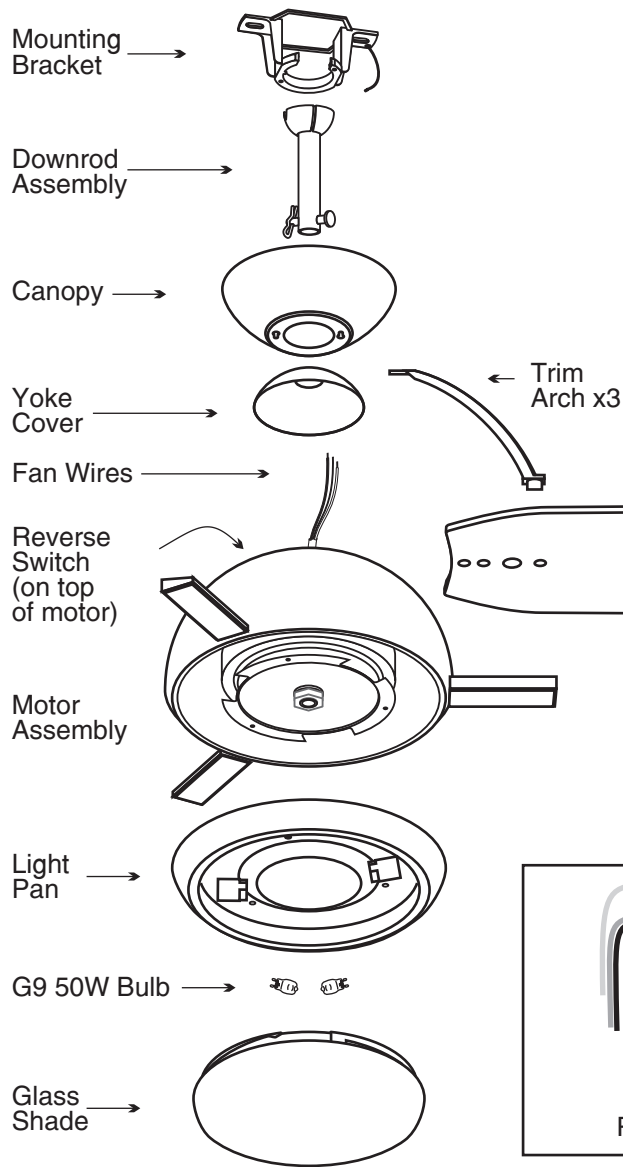
**WARNING: Read and follow these instructions carefully and be mindful of all warnings shown throughout.**

# READ AND SAVE THESE INSTRUCTIONS

## WARNING : TO REDUCE THE RISK OF FIRE, ELECTRICAL SHOCK, OR INJURY TO PERSONS, PLEASE OBSERVE THE FOLLOWING:






- 1.] To ensure success of installation, be sure read these instructions and review the diagrams thoroughly before beginning.
- 2.] **To avoid possible electric shock, be sure electricity is turned off at the main power box before wiring.**  
All electrical connections must be made in accordance with local codes, ordinances and/or the National Electrical Code. If you are unfamiliar with the methods of installing electrical wiring and products, secure the services of a qualified and licensed electrician as well as someone who can check the strength of the supportive ceiling members and make the proper installations and connections.
- 3.] Make sure that your installation site will not allow rotating fan blades to come into contact with any object. Blades should be at least 7 feet from the floor when fan is in operation.
- 4.] If possible, mount ceiling fan on a ceiling joist - the joist must be able to support the motion and weight of the moving fan. If the fan will be mounted on a ceiling outlet box, a 4" x 2 1/8" deep METAL octagon box is required; one UL listed as "suitable for fan support". The box and its supporting members must not be able to twist or work loose. **DO NOT USE PLASTIC BOXES.** Installation on a concrete ceiling should be performed by qualified personnel.
- 5.] Blades should be attached after motor housing is hung and in place. Fan motor housing should be kept in carton until ready to be installed to protect its finish. If you are installing more than one ceiling fan, make sure that you do not mix fan blade sets.
- 6.] After making electrical connections, spliced conductors should be turned upward and pushed carefully up into the outlet box. The wires should be spread apart with the grounded conductor and the equipment-grounding conductor on one side of the outlet box and the "HOT" wires on the other side.
- 7.] Electrical diagrams are for reference only. Light kits that are not packed with the fan must be UL/ETL listed and should be installed per the light kit's installation instructions.
- 8.] After fan is completely installed, check to make sure that all connections are secure to prevent fan from falling and/or causing damage or injury.
- 9.] The fan can be made to work immediately after installation. The bearings are adequately charged with grease, so that, under normal conditions, further lubrication should not be necessary.
- 10.] The fan must be turned off and stopped before reversing fan direction.
- 11.] This fan is suitable for sloped ceiling.
- 12.] This fan is reversible by switch on top of motor.
- 13.] This fan includes an integrated light kit.
- 14.] This fan is controlled by remote control.
- 15.] This fan is suitable for indoor use.

**Unpack and inspect fan carefully to be certain all contents are included.**



**Hardware Bag**




**For Mounting Bracket:**

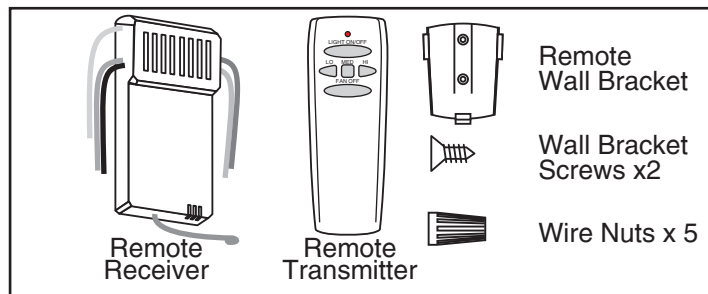
- Flat Washer x2 
- Star Washer x2 
- Spring Washer x2 
- Machine Screw x2 
- Wood Screw x2 

**For Wire Connection**

- Wire Nut x3 

**For Blade Installation**

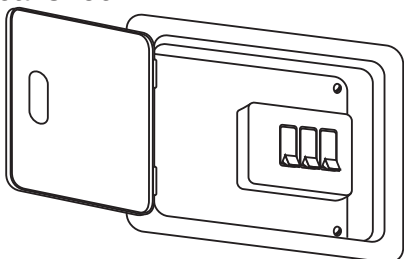
- Blade Screw x9 +1 
- Blade Washer x9 +1 
- Countersink Screws x6 +1 



**WARNING: blades should be at least 7 feet from floor**

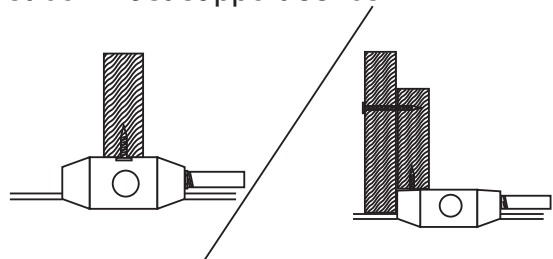
**Note 1:**

Turn off power at breaker box to avoid possible electrical shock.



**Note 2:**

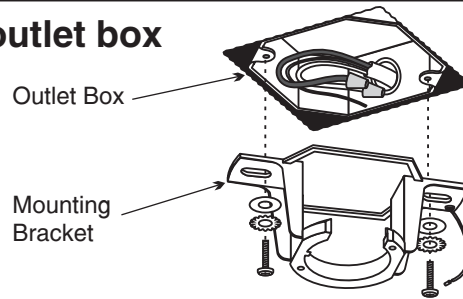
Use metal outlet box suitable for fan support. Outlet box must support 35 lbs min.



# 1. HANGING SYSTEM INSTALLATION

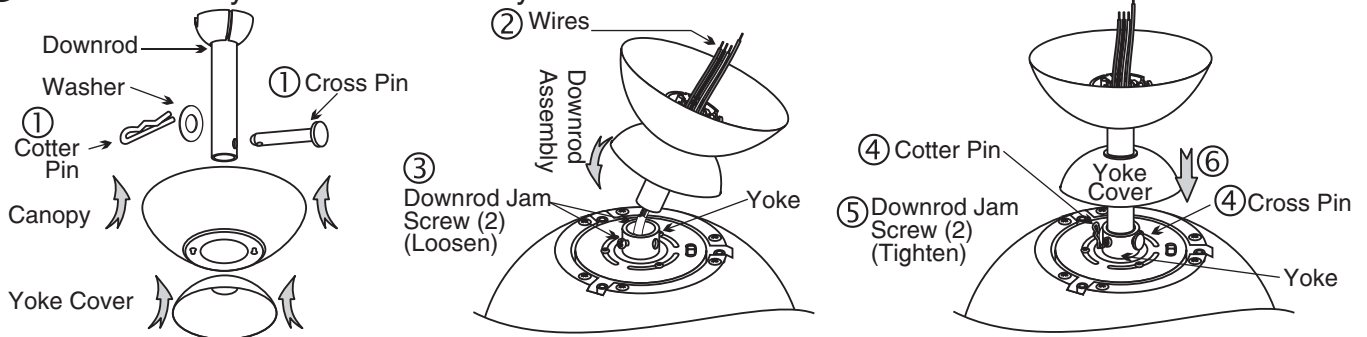
## 1A. Installing mounting bracket to ceiling outlet box

Install mounting bracket to outlet box in ceiling by using screws included with the outlet box and washers from the hardware bag.



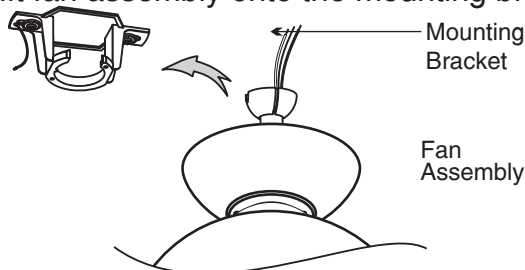
## 1B. Installing Downrod and Yoke

- 1 Remove cross pin washer and cotter pin from downrod.
- 2 Insert downrod through canopy and yoke cover, and feed motor wires through downrod.
- 3 Loosen 2 downrod jam screws at yoke. Insert downrod assembly into yoke.
- 4 Insert the cross pin through yoke & downrod and secure with washer and cotter pin.
- 5 Tighten both downrod jam screws to further secure downrod.
- 6 Pull down the yoke cover to cover yoke.

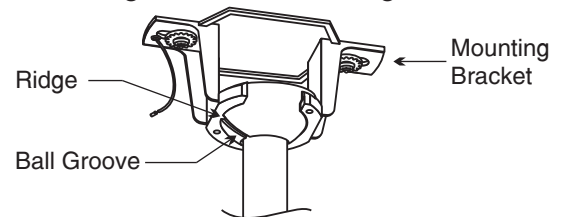


## 1C. Hanging the fan

Lift fan assembly onto the mounting bracket.



Rotate the fan so that the groove on the ball engages the ridge on the mounting bracket.



# 2. REMOTE CONTROL

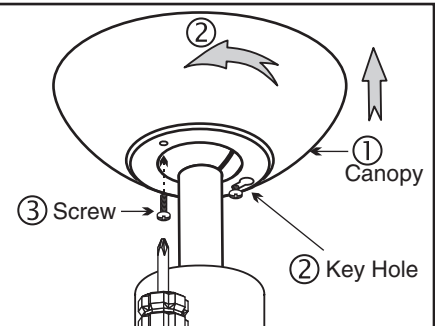
Follow separate instructions enclosed with the remote control.

# 3. CANOPY INSTALLATION

## 3. Installing the canopy

Note: Two screws are pre-installed on mounting bracket for canopy installation. You will need to remove one and loosen the other slightly.

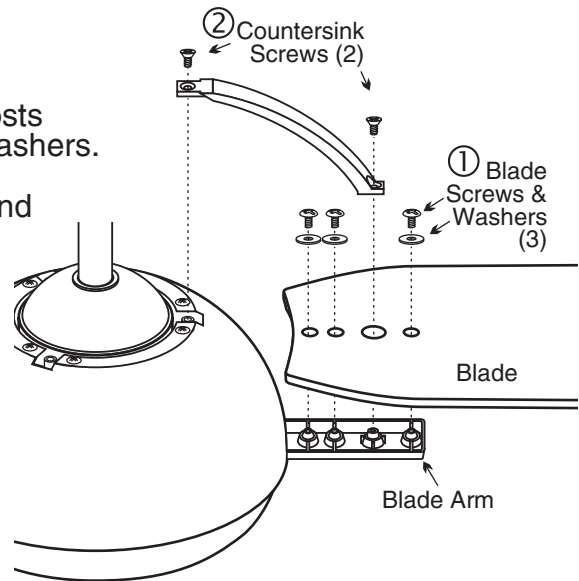
- 1 Push up canopy until the screw still in the mounting bracket is engaged with the large end of the keyhole on canopy.
- 2 Rotate canopy slightly until the screw head is engaged in the narrow end of the key hole.
- 3 Insert the remaining canopy screw into the other hole, and tighten both canopy screws.



## 4. BLADE INSTALLATION

### 4. Installing the blades

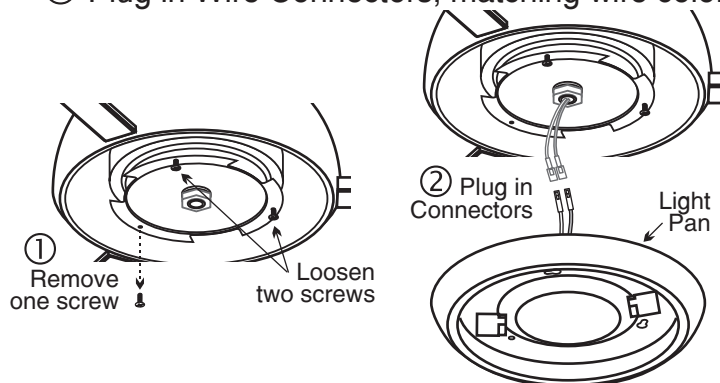
- ① Align three smaller holes in blade with the three posts on blade arm and secure with blade screws and washers. Repeat for remaining blades.
- ② Position trim arch as shown and secure to motor and to blade arm using the countersink screws. Repeat for remaining trim arches.



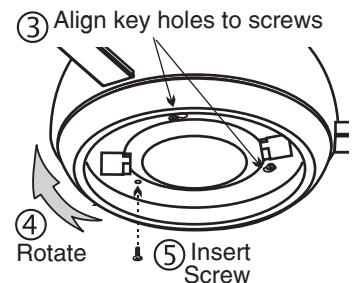
## 5. LIGHT/COVER INSTALLATION

### 5A. Installing the Light Pan

- ① Remove one screw and loosen two screws from the central hub of the motor assembly.
- ② Plug in Wire Connectors, matching wire colors.

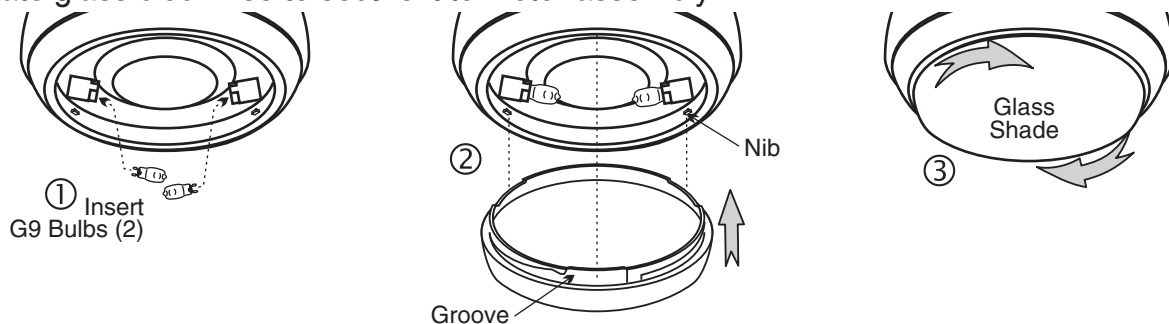


- ③ Lift light pan to motor to engage the large end of the key holes with the screws.
- ④ Rotate the light pan slightly to engage two screws in small ends of key holes.
- ⑤ Insert screw removed in step 1 and tighten all three screws.



### 5B. Installing the Glass Shade

- ① Insert both G9 Bulbs (50W) into sockets.
- ② Lift glass to motor aligning the grooves in the neck of the glass to the nibs inside the lower plate.
- ③ Rotate glass clockwise to secure it to motor assembly.



**TURN POWER ON AT THE BREAKER**