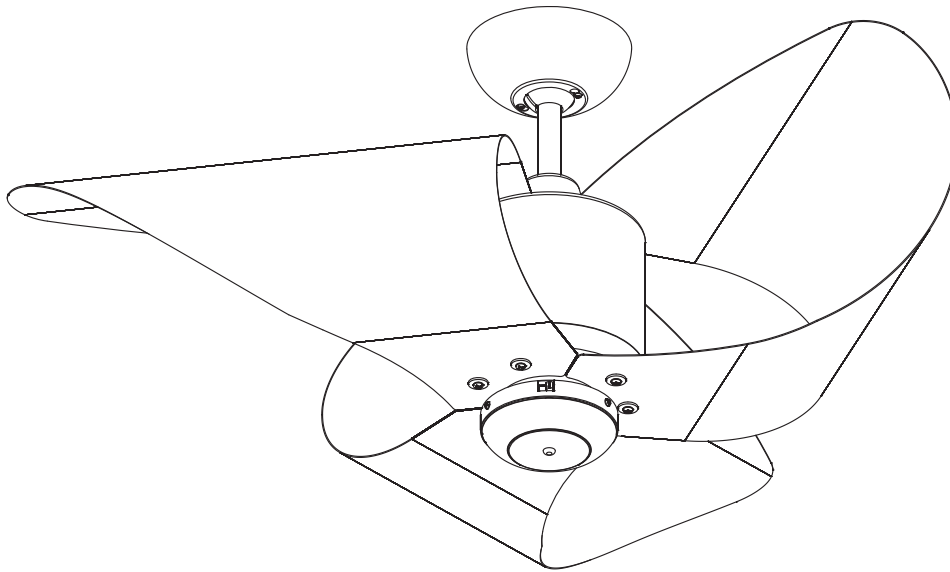


Owner's Manual

TroposAir

The L.A.



3LA44

This instruction contains 6 pages:

- Page 1: Foreword
- Page 2: Unpack and inspect parts contained
- Page 3: Hanging system installation
- Page 4: Wire connection and Canopy installation
- Page 4~5: Blade installation
- Page 6: Remote



Net weight

6.0 KGS. 13.2 LBS.

Toll Free: 1-855-676-7247

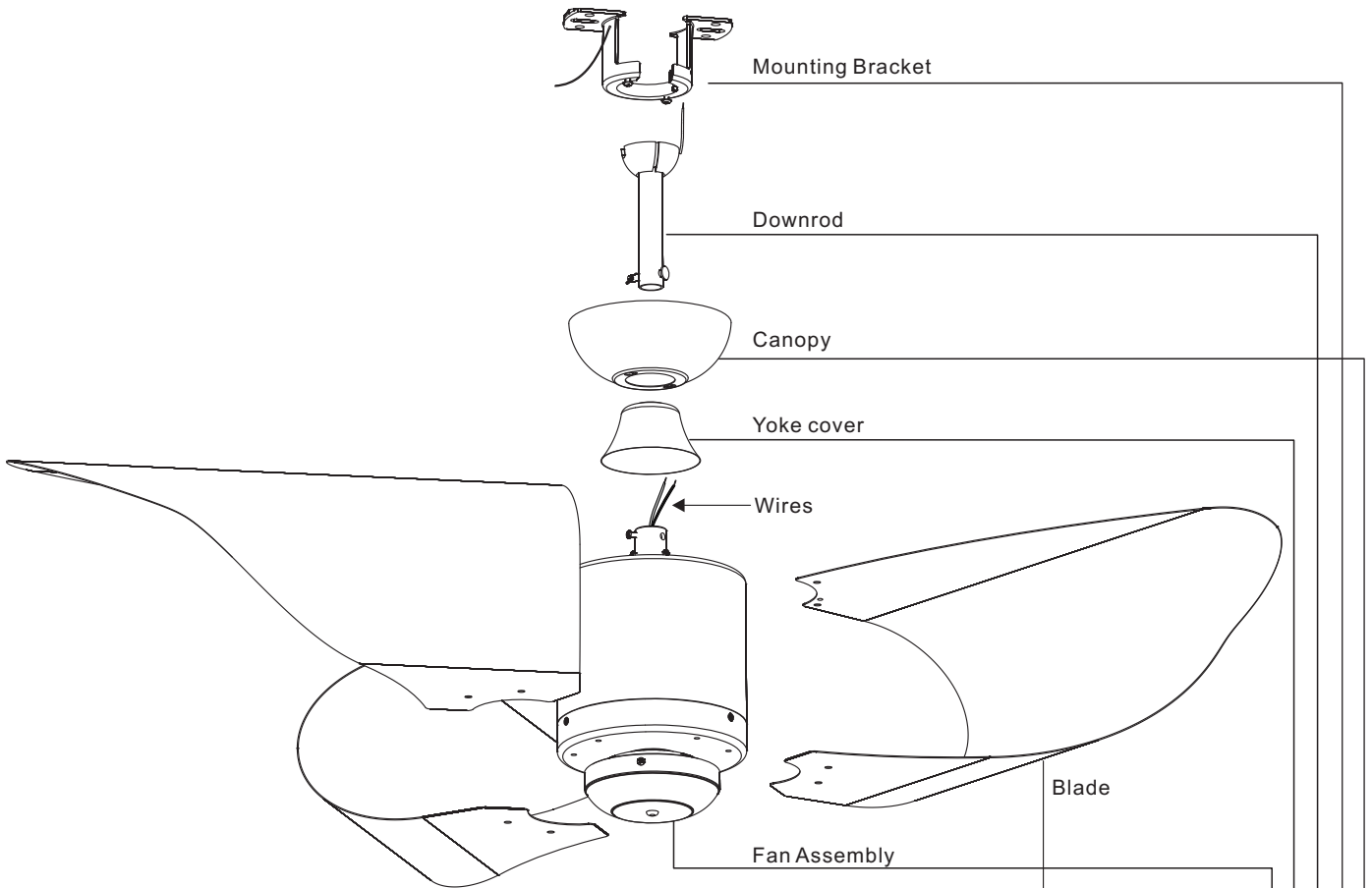
WARNING : Read and follow these instructions carefully and be mindful of all warnings shown throughout.

READ AND SAVE THESE INSTRUCTIONS

WARNING : TO REDUCE THE RISK OF FIRE, ELECTRICAL SHOCK, OR INJURY TO PERSONS, PLEASE OBSERVE THE FOLLOWING :

- 1]. To ensure the success of the installation, be sure to read the instructions and review the diagrams thoroughly before beginning.
- 2]. To avoid possible electric shock, be sure electricity is **TURNED OFF** at the main power box before wiring. All electrical connections must be made in accordance with local codes, ordinances and/or the National Electric Code. If you are unfamiliar with the methods of installing electrical wiring and products, secure the services of a qualified and licensed electrician as well as someone who can check the strength of the supportive ceiling members and make the proper installations and connections.
- 3]. Make sure that your installation site will not allow rotating fan blades to come in contact with any object. **BLADE SHOULD BE AT LEAST 7 FEET FROM FLOOR WHEN FAN IS IN OPERATION.**
- 4]. If possible, mount ceiling fan on a ceiling joist - the joist must be able to support the motion and weight of the moving fan. If the fan will be mounted on a ceiling outlet box, a 4" x 2-1/8" deep **METAL** octagon box is required ; one UL listed as " suitable for fan support ". The box and its supporting members must not be able to twist or work loose. **DO NOT USE PLASTIC BOXES.** Installation on a concrete ceiling should be performed by qualified personnel.
- 5]. Blades should be attached after motor housing is hung and in place. Fan motor housing should be kept in carton until ready to be installed to protect its finish. If you are installing more than one ceiling fan, make sure that you do not mix fan blade sets.
- 6]. After making electrical connections, spliced conductors should be turned upward. The wires should be spread apart with the grounded conductor and the equipment-grounding conductor on one side and the "HOT" wires on the other side.
- 7]. After fan is completely installed, check to make sure that all connections are secure to prevent fan from falling and/or causing damage or injury.
- 8]. **This fan is suitable for slope ceiling.**
- 9]. **This fan is light kit adaptable.**
- 10]. **This fan is suitable for indoor location use.**

Unpack and inspect fan carefully to be certain all contents are included.



Hardware Bag

For Mounting Bracket:

- Flat Washer x2
- Spring Washer x2
- Machine Screw x2
- Wood Screw x2

For Wire Connection:

- Wire Nut x 3

For Blade Installation:

- Blade Screw x 13 (one spare screw included)

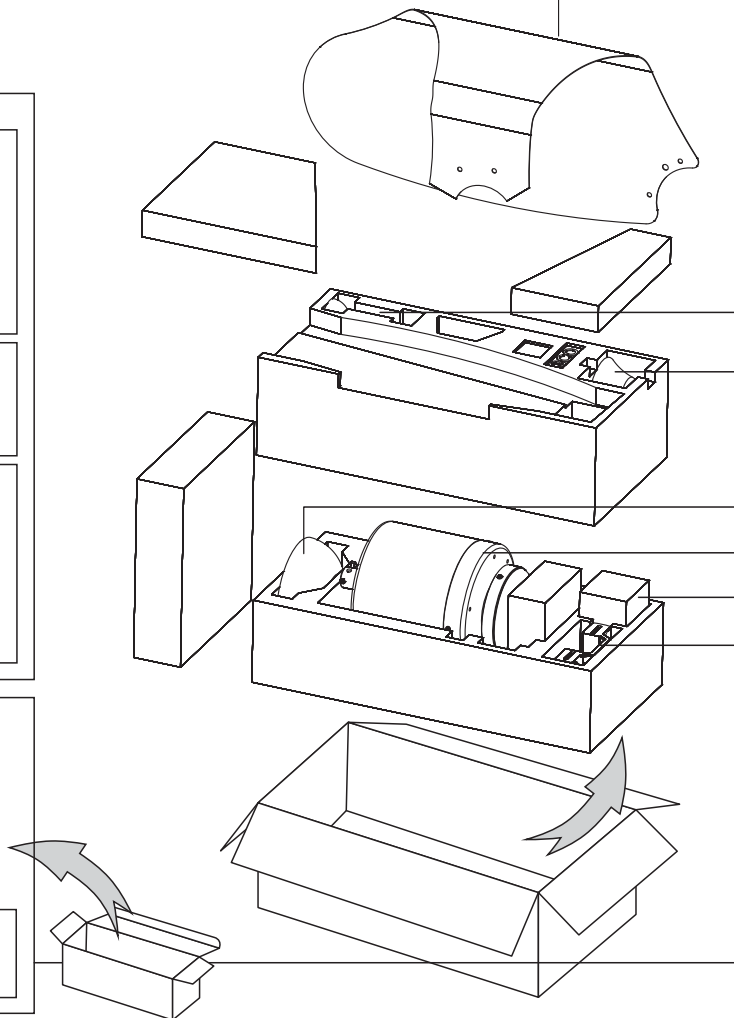


Remote *Battery Included



Hardware Bag

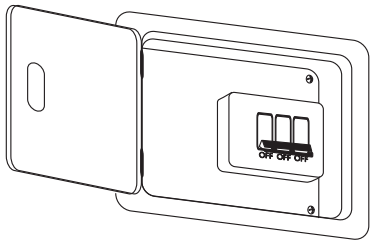
- Wood Screw x2



WARNING: blades should be at least 7 feet from floor

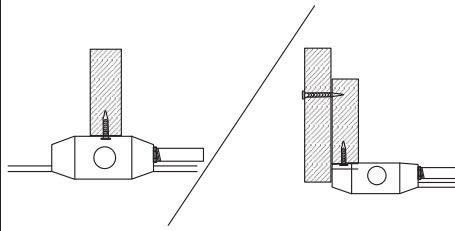
Note 1:

Turn off power at breaker box to avoid possible electrical shock.



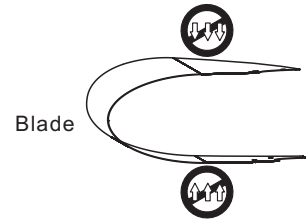
Note 2:

Use metal outlet box suitable for fan support.
Outlet box must support 35 lbs min.



Note 3:

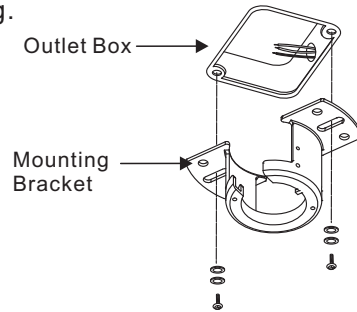
CAUTION:
Do not fold blades with heavy pressure from two sides.
It may cause blades to crack.



1. HANGING SYSTEM INSTALLATION

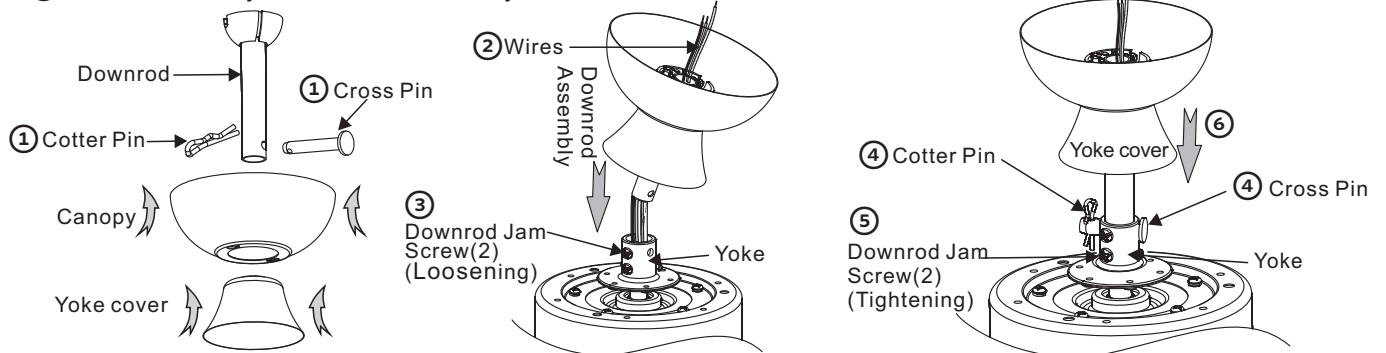
1A. Installing mounting bracket to ceiling outlet box

Install mounting bracket to outlet box in ceiling by using screws included with the outlet box and washers from the hardware bag.



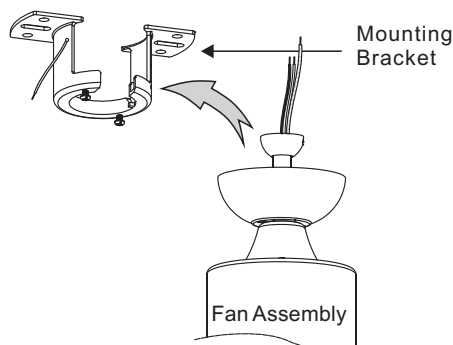
1B. Installing Downrod and Yoke

- ① Remove cross pin and cotter pin from downrod.
- ② Insert downrod through canopy and yoke cover, and feed motor lead wires through downrod.
- ③ Loosen 2 downrod jam screws at yoke. Insert downrod assembly into yoke.
- ④ Insert the cross pin through yoke & downrod and secure with cotter pin.
- ⑤ Tighten both downrod jam screws to further secure downrod.
- ⑥ Pull down the yoke cover to cover yoke.

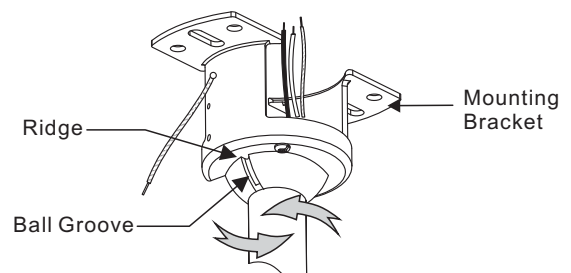


1C. Hanging the fan

Lift fan assembly onto mounting bracket.



Rotate fan so that the groove on the ball engages the ridge in the mounting bracket.



2. WIRE CONNECTION

Making electrical wire connection

Follow diagram below and make sure that all exposed wires are secured inside wire nuts or terminal block.
 Note : Wires from house may vary in color and may not include ground wire (green).

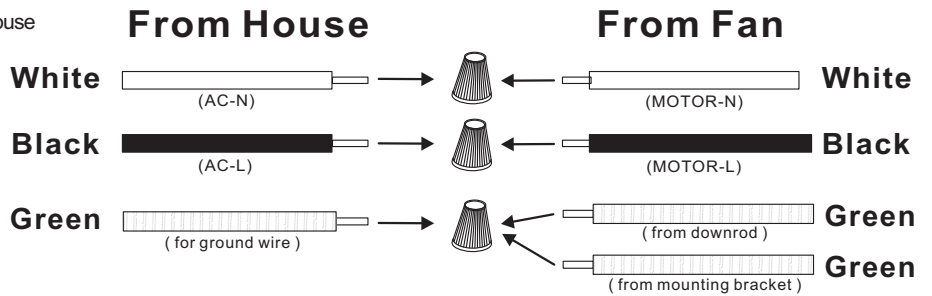
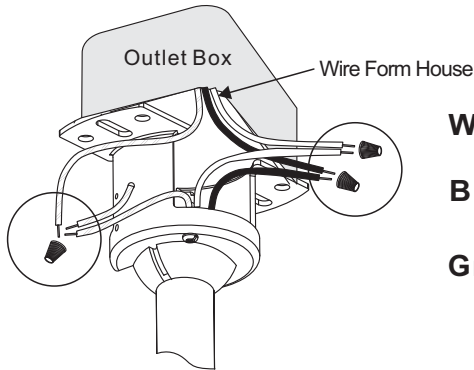
*White wire from house to white wire from fan

*Black wire from house to black wire from fan

*Ground wire from house to green wire from downrod and from mounting bracket

*Secure with twist - lock wire nuts. (Included)

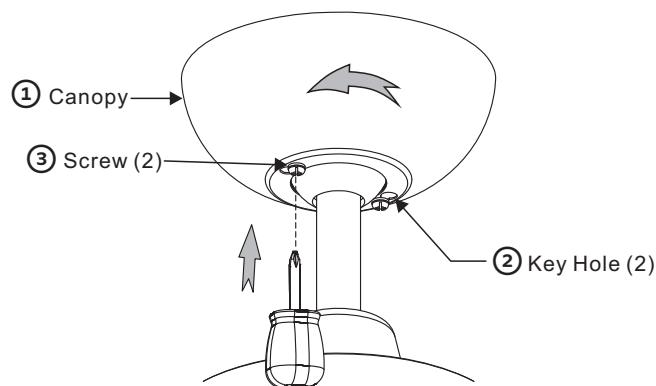
*After wiring is completed, gently push wires into junction box with wire nuts pointing upward.



3. CANOPY INSTALLATION

Note: Two screws are pre-installed on mounting bracket for canopy installation.

- ① Push up canopy until two screws pre-screwed on mounting bracket are engaged with two key holes on canopy.
- ② Rotate canopy slightly until two pre-installed screw heads are engaged in the narrow end of key holes.
- ③ Tighten both screws.



4. BLADES INSTALLATION

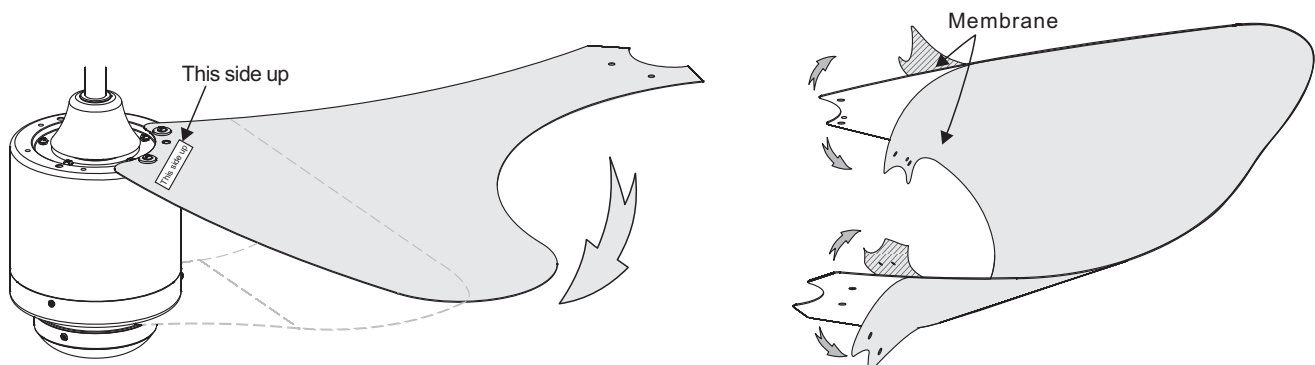
NOTE 1:

Please make sure blades are positioned with "This side up" label facing the ceiling for step 4A.

(*Only clear blades have protection membrane.)

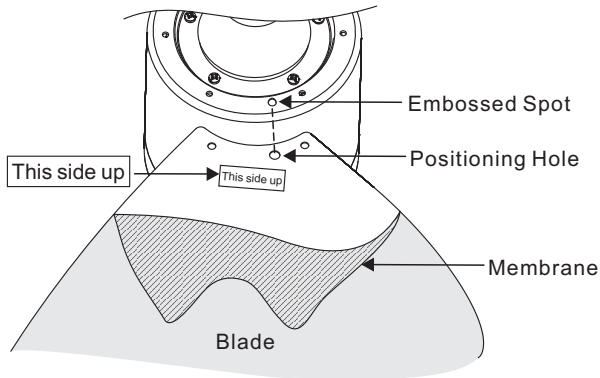
NOTE 2:

There may be two pieces of protection membrane on two sides of blade for protecting blade from scratches. Remove a part of the protection membrane on both sides of blade end with "This side up" label for Step 4B.



4A.

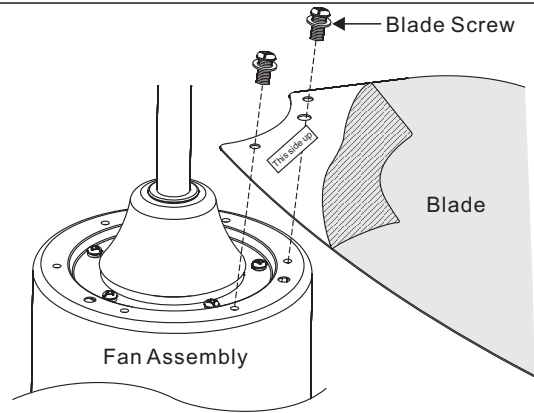
Blade end with "This side up" label should be attached to the TOP side of fan motor (facing toward ceiling). Make sure embossed spot on motor is properly aligned with positioning hole on blade.



4B.

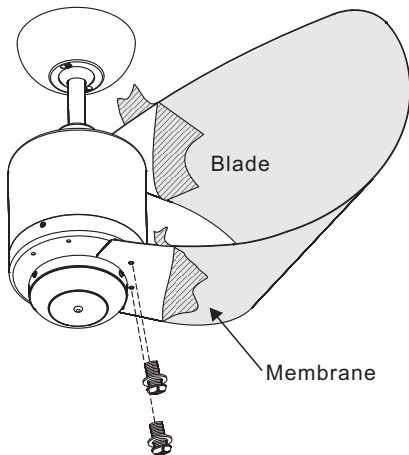
Once aligned, fasten the blade end onto TOP side of fan motor with blade screws from hardware bag.

CAUTION: To avoid possible noise, do not fully tighten the first blade screw while positioning. Fasten both blade screws evenly after both screws are in place.



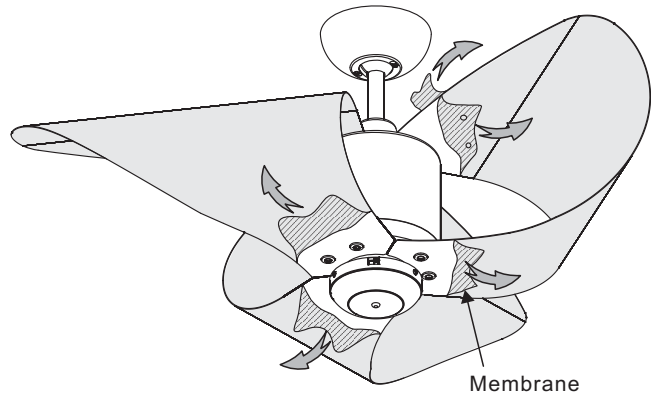
4C.

If present, remove a part of the protection membrane on both sides of the other blade end, and attach the blade end onto DOWN side of fan motor with blade screws and flat washers from hardware bag.



4D.

After repeating steps 4A to 4C twice until all three blades are done, remove the protection membrane from both sides of all three blades.



Turn on power at breaker box for remote setting.

5: REMOTE INSTALLATION

5A. Initial Settings (Back side of Transmitter)

1. Code setting on TRANSMITTER.

① Remove battery cover.

② FAN code setting:

There are 4 switches for 16 possible code combinations just in case your house has other fans installed with the same codes. You may change your code switches by using a small screwdriver or ball point pen to slide each code switch firmly up or down.

Note: IF ONLY ONE FAN TO BE INSTALLED IN THE HOUSE, YOU CAN SKIP THIS STEP.

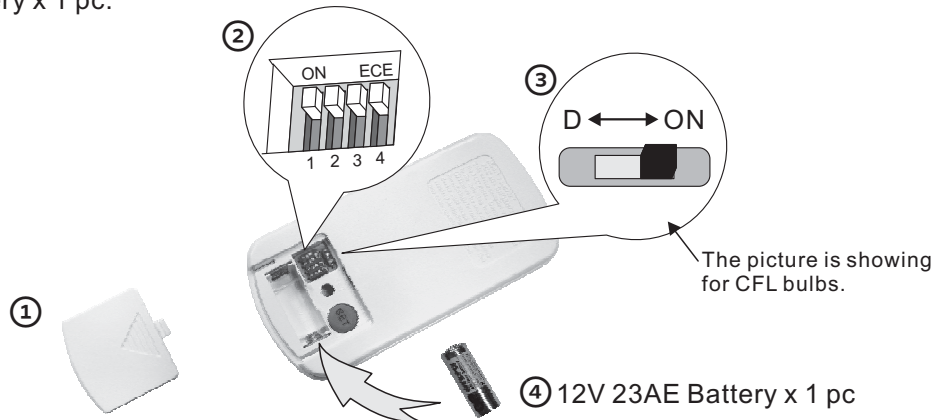
③ LIGHT On/Off-Dimming code setting:

This switch is to interchange light function while using incandescent bulbs (Dimming) or CFL bulbs (On/Off).

* **Dimming** function: Slide the code to "D" position (for incandescent bulbs)

* **On/Off** function: Slide the code to "ON" position (for CFL bulbs)

④ Install 12V 23AE battery x 1 pc.

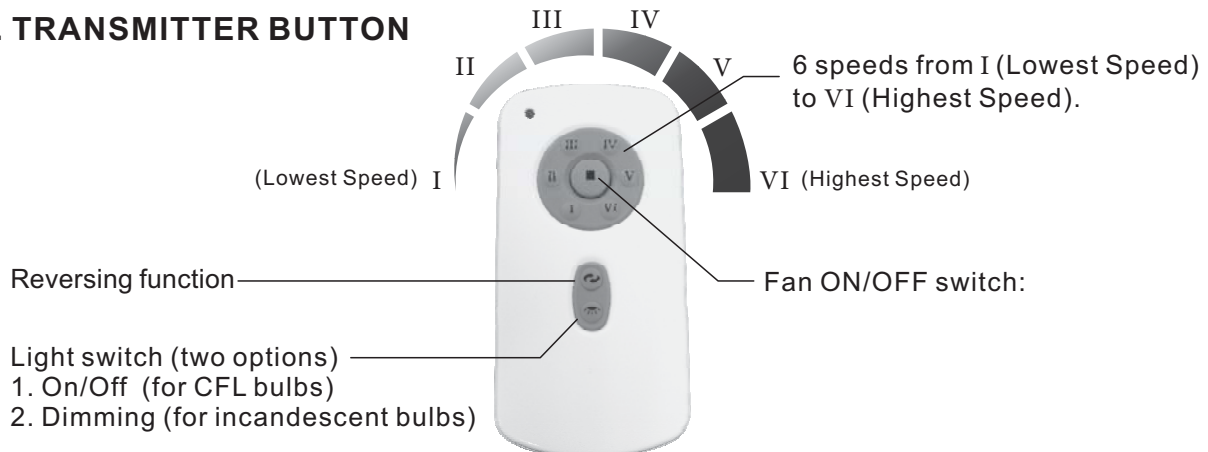


5B. SETTING before starting fan.

Pressing the button "SET" for 3~5 seconds till the fan operates, which means this remote control is doing the setting. Fan will operate clockwise for 2.5 minutes and anti-clockwise for 2.5 minutes, then stop automatically. (Totally 5 minutes for SETTING.)



5C. TRANSMITTER BUTTON



Your fan is ready for operation.