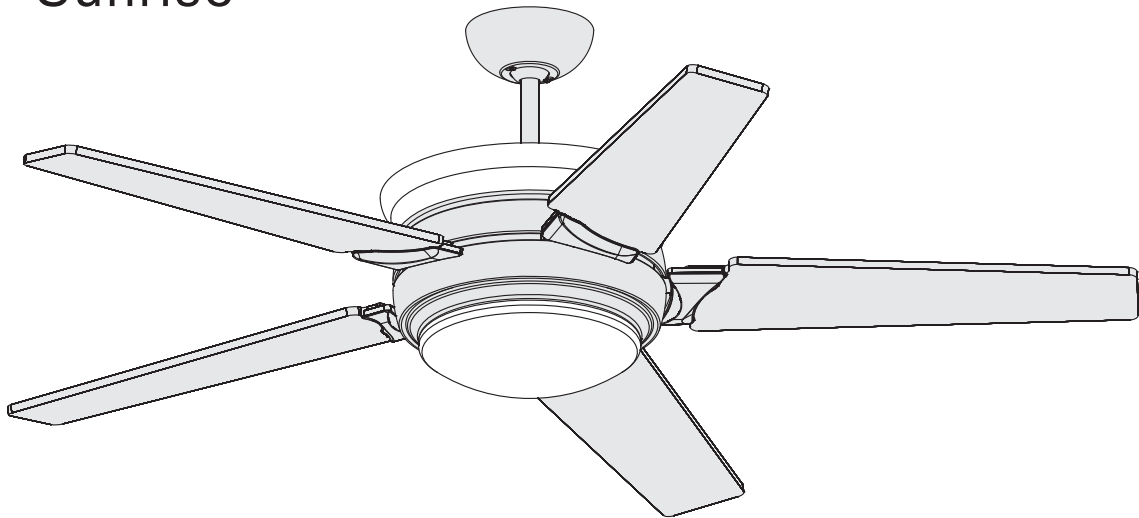


Owner's Manual

TroposAir
Sunrise



5SR56+LK

This instruction contains 6 pages:

- Page 1: Foreword
- Page 2: Unpack and inspect parts contained
- Page 3: Notes before installation and Hanging system installation
- Page 4: Wire connection
- Page 5: Canopy installation
- Page 6: Blade / Light kit installation and Remote & Setting



Toll Free: 1-855-676-7247

WARNING : Read and follow these instructions carefully and be mindful of all warnings shown throughout.

Net weight

12 KGS.

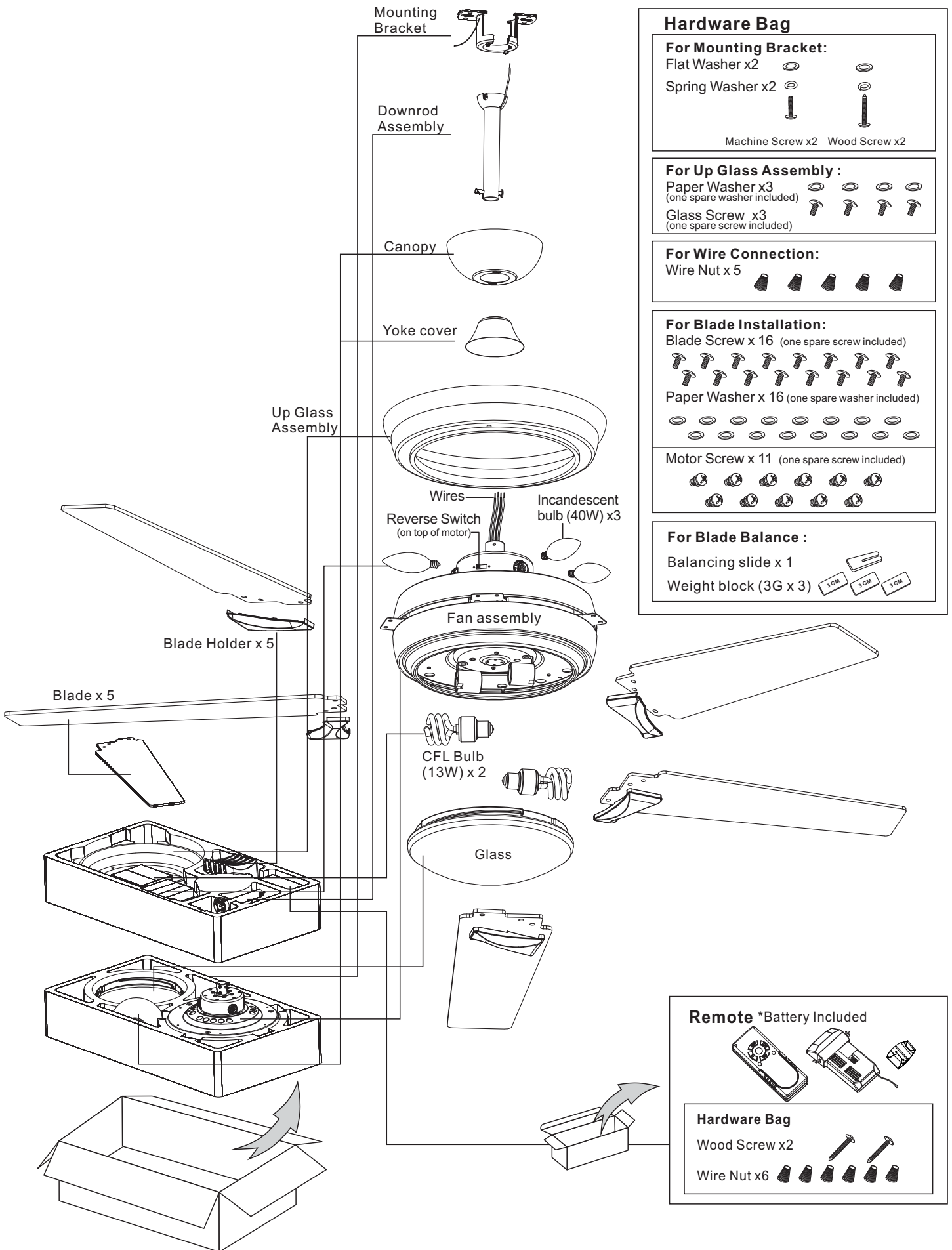
26.44 LBS.

READ AND SAVE THESE INSTRUCTIONS

WARNING : TO REDUCE THE RISK OF FIRE, ELECTRICAL SHOCK, OR INJURY TO PERSONS, PLEASE OBSERVE THE FOLLOWING :

- 1]. To ensure the success of the installation, be sure to read the instructions and review the diagrams thoroughly before beginning.
- 2]. **To avoid possible electric shock, be sure electricity is turned off at the main power box before wiring.**
All electrical connections must be made in accordance with local codes, ordinances and/or the National Electric Code. If you are unfamiliar with the methods of installing electrical wiring and products, secure the services of a qualified and licensed electrician as well as someone who can check the strength of the supportive ceiling members and make the proper installations and connections.
- 3]. Make sure that your installation site will not allow rotating fan blades to come in contact with any object. Blades should be at least 7 feet from floor when fan is in operation.
- 4]. If possible, mount ceiling fan on a ceiling joist - the joist must be able to support the motion and weight of the moving fan. If the fan will be mounted on a ceiling outlet box, a 4" x 2-1/8" deep METAL octagon box is required ; one UL listed as " suitable for fan support ". The box and its supporting members must not be able to twist or work loose. **DO NOT USE PLASTIC BOXES.** Installation on a concrete ceiling should be performed by qualified personnel.
- 5]. Blades should be attached after motor housing is hung and in place. Fan motor housing should be kept in carton until ready to be installed to protect its finish. If you are installing more than one ceiling fan, make sure that you do not mix fan blade sets.
- 6]. After making electrical connections, spliced conductors should be turned upward and pushed carefully up into outlet box. The wires should be spread apart with the grounded conductor and the equipment - grounding conductor on one side of the outlet box and the " HOT " wires on the other side.
- 7]. Electrical diagrams are for reference only. Light kits that are not packed with the fan must be UL/ETL listed and should be installed per the light kit's installation instructions.
- 8]. After fan is completely installed, check to make sure that all connections are secure to prevent fan from falling and/or causing damage or injury.
- 9]. The fan can be made to work immediately after installation. The bearings are adequately charged with grease, so that under normal conditions, further lubrication should not be necessary.
- 10]. The fan must be turned off and stopped before reversing fan direction.
- 11]. **This fan is suitable for slope ceiling.**
- 12]. **This fan is reversible.**
- 13]. **This fan is controlled by remote.**
- 14]. **This fan is suitable for indoor use.**

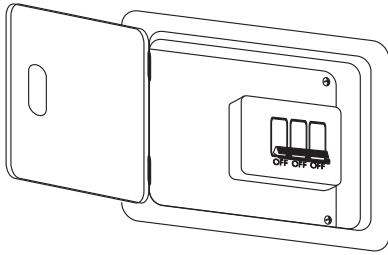
Unpack and inspect fan carefully to be certain all contents are included.



WARNING: blades should be at least 7 feet from floor

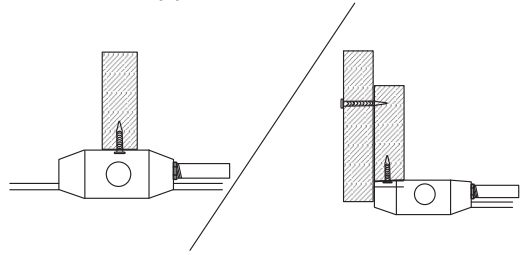
Note 1:

Turn off power at breaker box to avoid possible electrical shock.



Note 2:

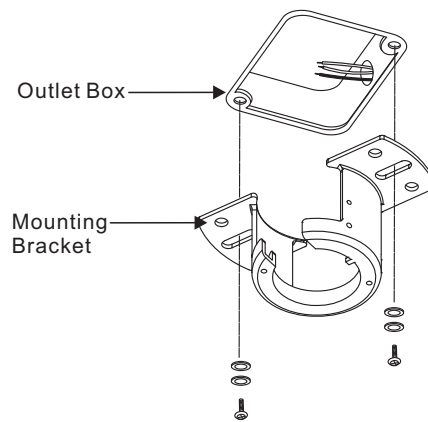
Use metal outlet box suitable for fan support.
Outlet box must support 35 lbs min.



1. HANGING SYSTEM INSTALLATION

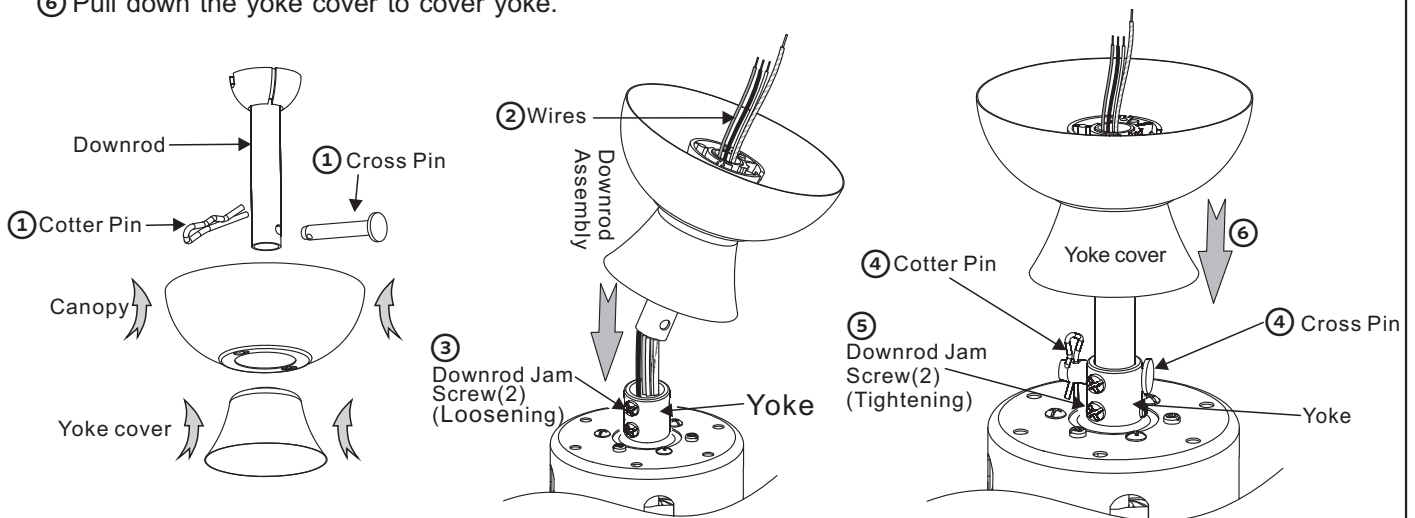
1A. Installing mounting bracket to ceiling outlet box

Install mounting bracket to outlet box in ceiling by using screws included with the outlet box and washers from the hardware bag.



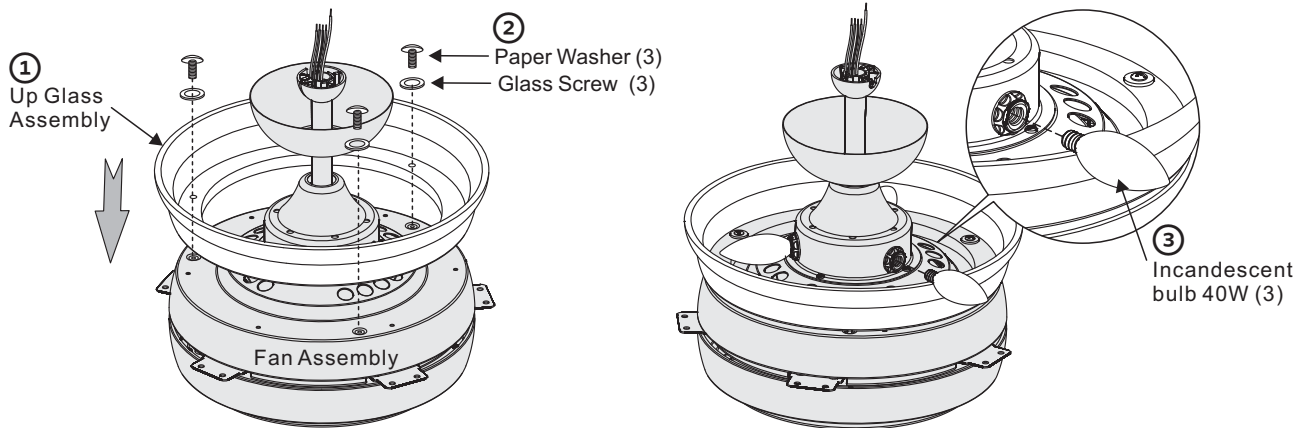
1B. Installing Downrod and Yoke

- ① Remove cross pin and cotter pin from downrod.
- ② Insert downrod through canopy and yoke cover, and feed motor lead wires through downrod.
- ③ Loosen 2 downrod jam screws at yoke. Insert downrod assembly into yoke.
- ④ Insert the cross pin through yoke & downrod and secure with cotter pin.
- ⑤ Tighten both downrod jam screws to further secure downrod.
- ⑥ Pull down the yoke cover to cover yoke.



1C. Attaching the Up Glass Assembly onto Fan Assembly

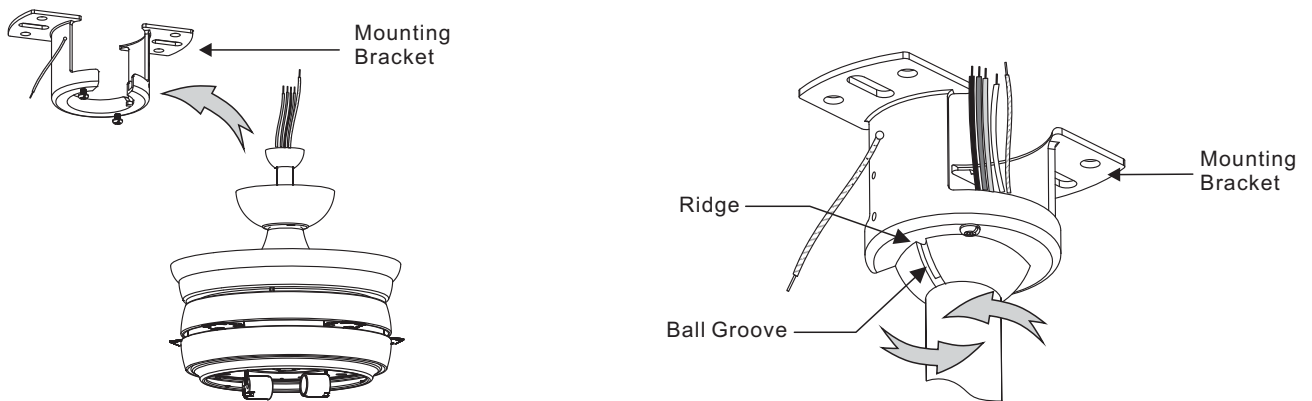
- ① Place the up glass assembly onto fan assembly.
- ② Secure the up glass assembly onto fan assembly with 3 paper washers and 3 glass screws (provided from hardware bag).
- ③ Gently install 3 incandescent bulbs (40W) provided from box to lamp holders.



1D. Hanging the fan

Lift fan assembly onto mounting bracket.

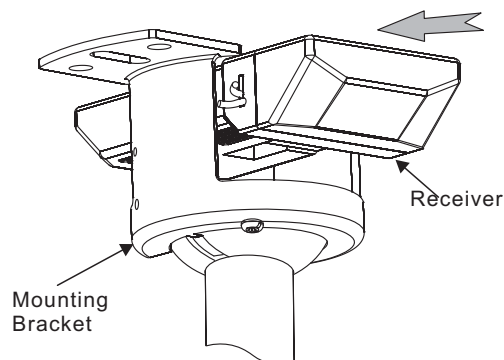
Rotate fan so that the groove on the ball engages the ridge in the mounting bracket.



2. WIRE CONNECTION

2A. Insert receiver into mounting bracket

NOTE: Do not squeeze all the wires while inserting the receiver into the mounting bracket.

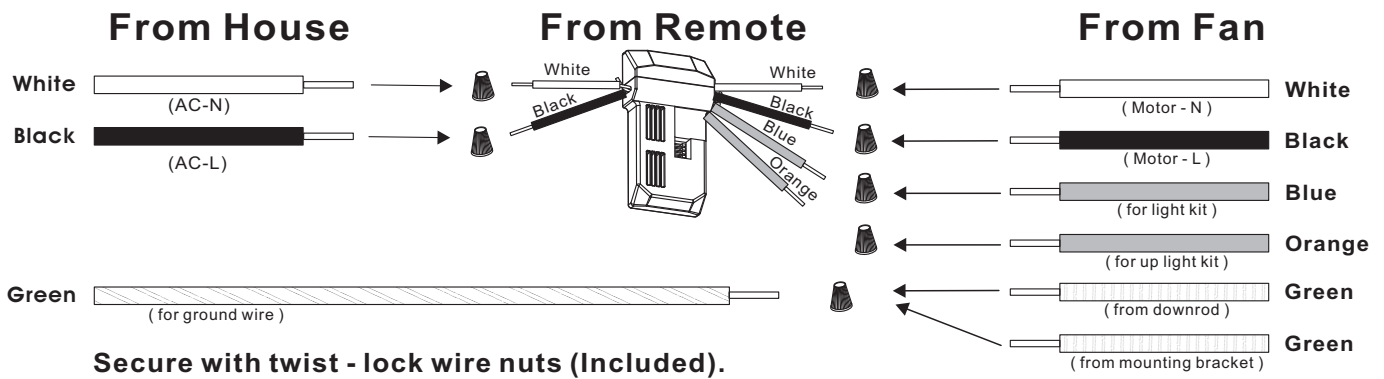


2B. Making electrical wire connection

Follow diagram below and make sure that all exposed wires are secured inside wire nuts.

Note: Wires from house may vary in color and may not include ground wire (green).

After wiring is completed, collect wires neatly inside hanging base.



2C. Setting code switches for transmitter

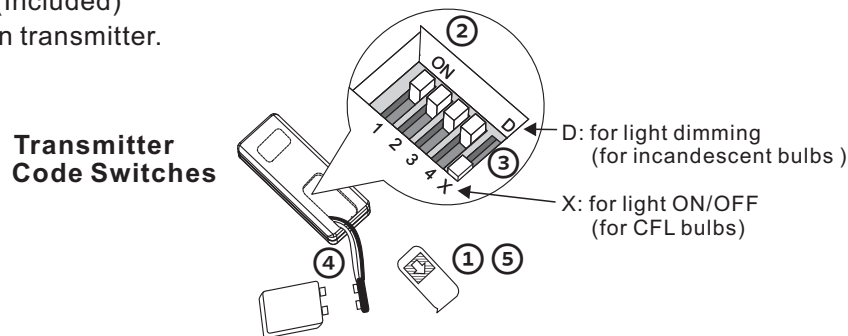
Remote controls are tuned to operate together using 4 switches for 16 possible code combinations.

1. Setting the code on the TRANSMITTER

- Remove battery cover.
- Slide code switch randomly using a small screwdriver or ball point pen to slide each switch firmly up or down.
- Slide code switch for light ON/OFF (marked as X), or DIMMING (marked as D) function.

Important! This fan includes 2 CFL bulbs, so the code switch should be at X position (ON/OFF). You may switch code at D position (DIMMING) once incandescent bulbs are installed.

- Install 9V DC battery. (Included)
- Install battery cover on transmitter.

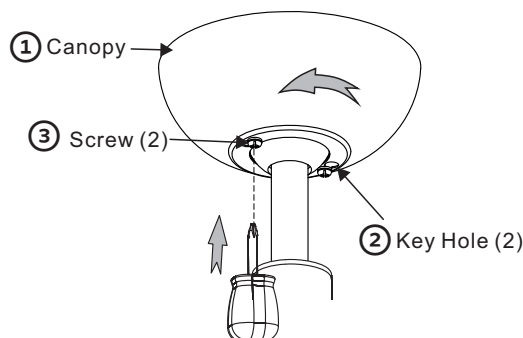


Warning! CFL bulbs are not applicable to the remote with dimming function.

3. CANOPY INSTALLATION

Note: Two screws are pre-installed on mounting bracket for canopy installation.

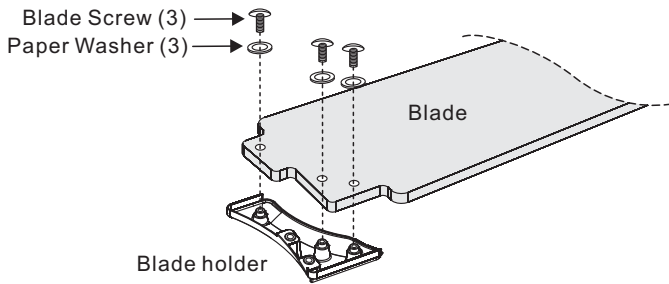
- Push up canopy until two screws pre-screwed on mounting bracket are engaged with two key holes on canopy.
- Rotate canopy slightly until two pre-installed screw heads are engaged in the narrow end of key holes.
- Tighten both screws.



4. BLADE INSTALLATION

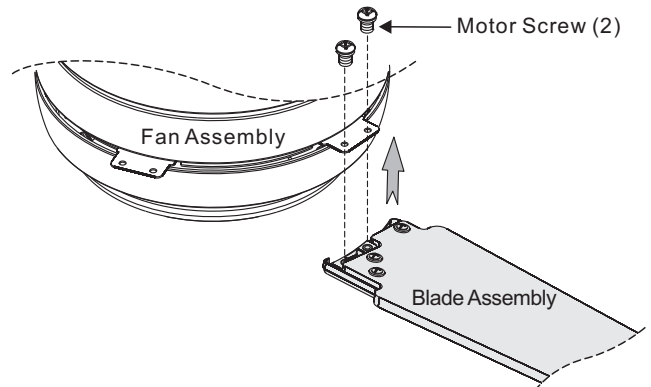
4A. Blade Installation

Attach blade to blade holder with 3 blade screws and 3 paper washers provided from hardware bag. Make sure all screws are firmly tightened.



4B. Blade Assembly To Motor

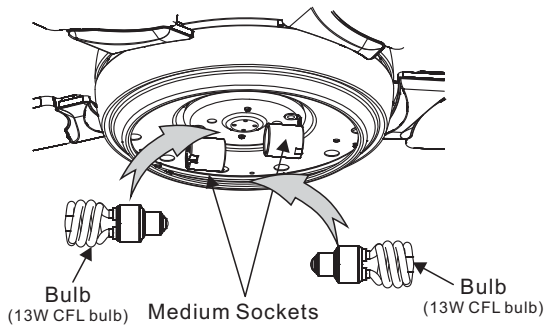
Secure Blade Assembly to the fan assembly with 2 motor screws provided from hardware bag.



5. LIGHT KIT INSTALLATION

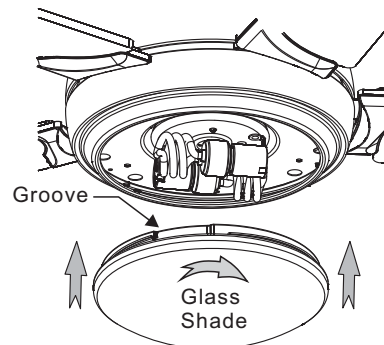
5A.

Install the bulbs (included) to the medium sockets properly.



5B.

Attach the glass shade by screwing it onto the light kit pan clockwise.

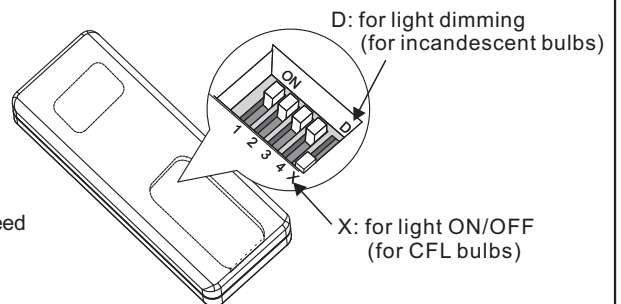
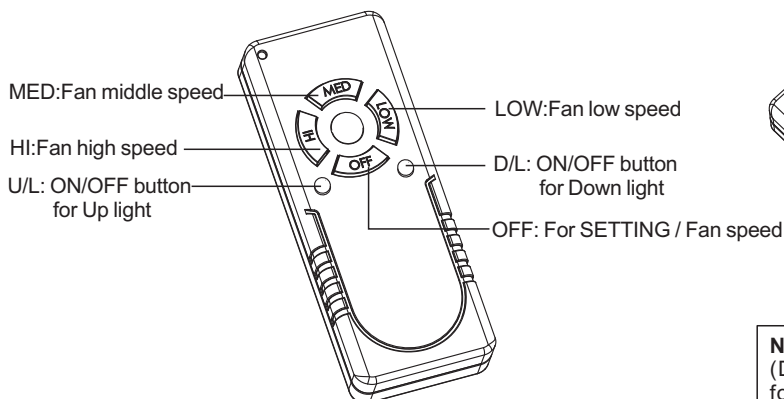


Turn on power at breaker box for remote setting.

6. REMOTE & SETTING

SETTING of remote before starting fan

Pressing the button "OFF" for 3~5 seconds until the **LIGHT BLINKS**, which means this remote control has done the setting. Now the remote is ready for operation.



Note: You may switch Light switch code at D position (DIMMING) when you change to incandescent bulbs for Down light. To use dimming, press and hold light button(s).