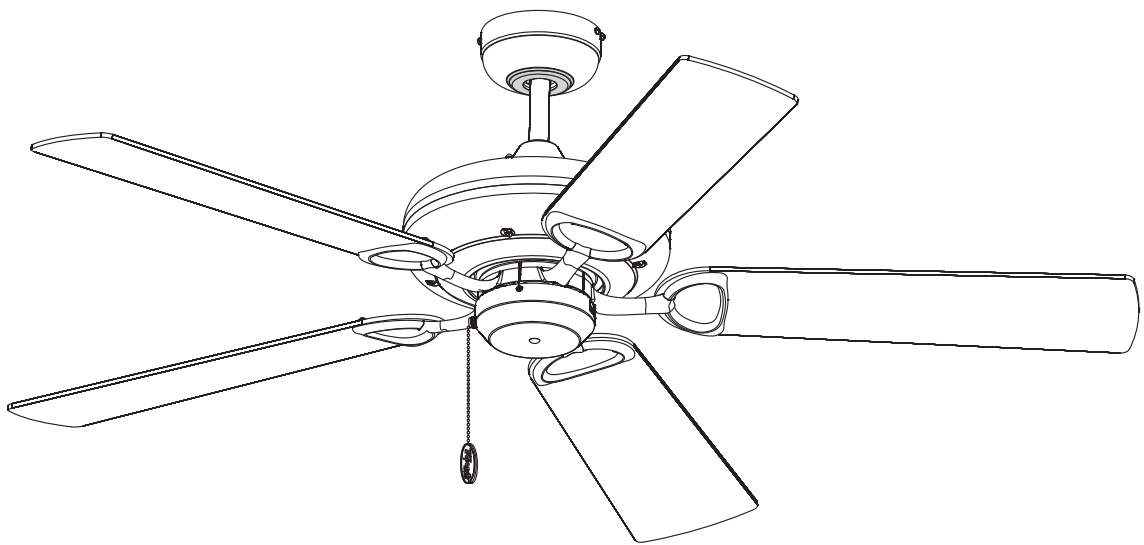


# Owner's Manual

**TroposAir**

ProSeries Deluxe Builder outdoor



5HA52

This instruction contains 6 pages:

Page 1: Foreword

Page 2: Unpack and inspect parts contained

Page 3: Notes before installation

Page 3~5: Hanging system installation

Page 5: Wire and Canopy installation

Page 6: Blade / Switch Housing / Pull Chain Knob installation



Net weight

7.0 KGS.

15.4 LBS.

Toll Free: 1-855-676-7247

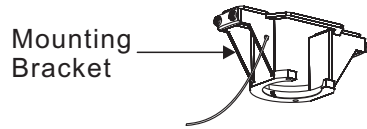
**WARNING** : Read and follow these instructions carefully and be mindful of all warnings shown throughout.

# READ AND SAVE THESE INSTRUCTIONS

## WARNING : TO REDUCE THE RISK OF FIRE, ELECTRICAL SHOCK, OR INJURY TO PERSONS, PLEASE OBSERVE THE FOLLOWING :

- 1]. To ensure the success of the installation, be sure to read the instructions and review the diagrams thoroughly before beginning.
- 2]. **To avoid possible electric shock, be sure electricity is turned off at the main power box before wiring.**  
All electrical connections must be made in accordance with local codes, ordinances and/or the National Electric Code. If you are unfamiliar with the methods of installing electrical wiring and products, secure the services of a qualified and licensed electrician as well as someone who can check the strength of the supportive ceiling members and make the proper installations and connections.
- 3]. Make sure that your installation site will not allow rotating fan blades to come in contact with any object. Blades should be at least 7 feet from floor when fan is in operation.
- 4]. If possible, mount ceiling fan on a ceiling joist - the joist must be able to support the motion and weight of the moving fan. If the fan will be mounted on a ceiling outlet box, a 4" x 2-1/8" deep METAL octagon box is required ; one UL listed as " suitable for fan support ". The box and its supporting members must not be able to twist or work loose. **DO NOT USE PLASTIC BOXES.** Installation on a concrete ceiling should be performed by qualified personnel.
- 5]. Blades should be attached after motor housing is hung and in place. Fan motor housing should be kept in carton until ready to be installed to protect its finish. If you are installing more than one ceiling fan, make sure that you do not mix fan blade sets.
- 6]. After making electrical connections, spliced conductors should be turned upward and pushed carefully up into outlet box. The wires should be spread apart with the grounded conductor and the equipment - grounding conductor on one side of the outlet box and the " HOT " wires on the other side.
- 7]. Electrical diagrams are for reference only. Light kits that are not packed with the fan must be UL/ETL listed and should be installed per the light kit's installation instructions.
- 8]. After fan is completely installed, check to make sure that all connections are secure to prevent fan from falling and/or causing damage or injury.
- 9]. The fan can be made to work immediately after installation. The bearings are adequately charged with grease, so that under normal conditions, further lubrication should not be necessary.
- 10]. The fan must be turned off and stopped before reversing fan direction.
- 11]. **This fan is suitable for three mounting ways: Downrod (standard)/ Flush (Hugger) / Slope ceiling.**
- 12]. **This fan is reversible.**
- 13]. **This fan is light kit adaptable.**
- 14]. **This fan is remote adaptable.**
- 15]. **This fan is suitable for damp location use.**

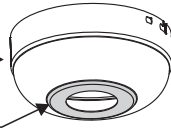
# Unpack and inspect fan carefully to be certain all contents are included.



Downrod Assembly



Canopy



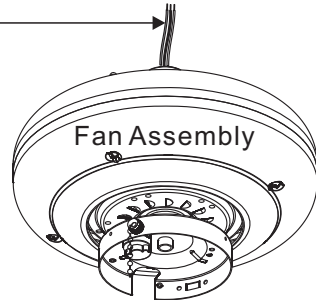
Canopy Decorating Cap



Yoke Cover



Wires



Fan Assembly

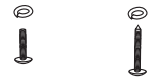
## Hardware Bag

### For Mounting Bracket:

Flat Washer x2



Spring Washer x2



Machine Screw x2    Wood Screw x2

### For Wire Connection:

Wire Nut x 3



### For Blade Installation:

Blade Screw x 16 (one spare screw included)



Rubber Washer x 16 (one spare washer included)



Motor Screw x 11 (one spare screw included)



### For Fan :

Pull Chain Knob x1



### For Blade Balance :

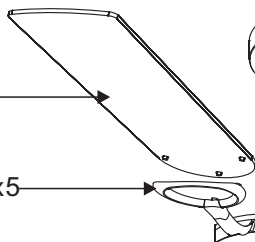
Balancing slide x 1



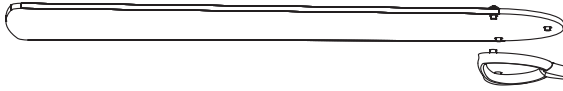
Weight block (3G x 3)



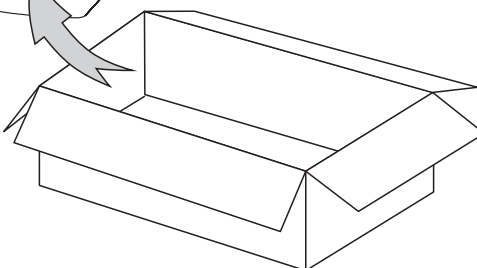
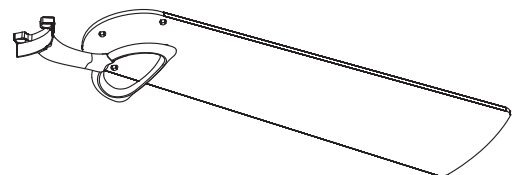
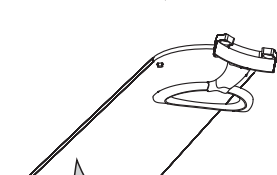
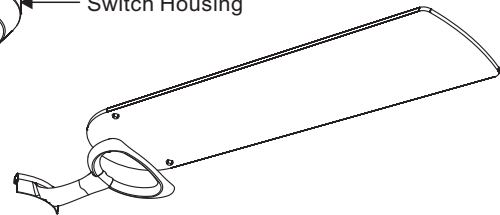
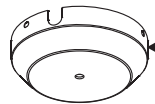
Blade x5



Blade Holder x5



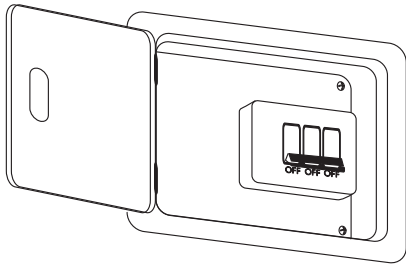
Switch Housing



## WARNING: blades should be at least 7 feet from floor

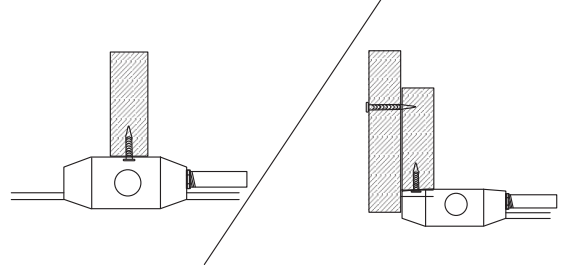
### Note 1:

Turn off power at breaker box to avoid possible electrical shock.



### Note 2:

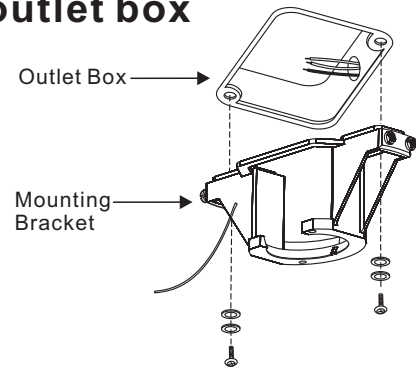
Use metal outlet box suitable for fan support. Outlet box must support 35 lbs min.



## 1. HANGING SYSTEM INSTALLATION

### 1A. Installing mounting bracket to ceiling outlet box

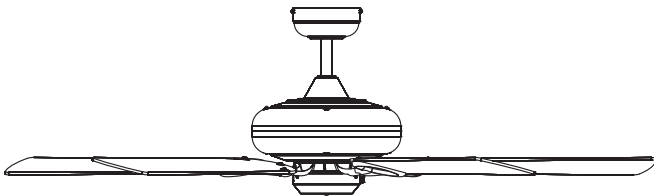
Install mounting bracket to outlet box in ceiling by using screws included with the outlet box and washers from the hardware bag.



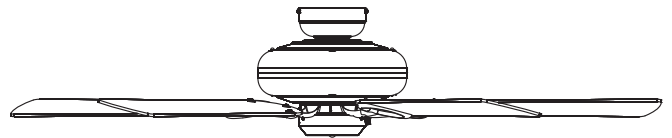
### 1B. This fan has two installation methods available:

- ① Downrod mount (Standard) : Please follow up Step 1C and 1D.
- ② Flush mount (Hugger) : Please directly go to Step 1E and 1F.

#### ① Downrod mount (See Step 1C and 1D)

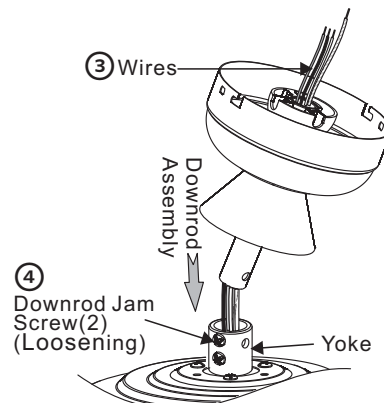
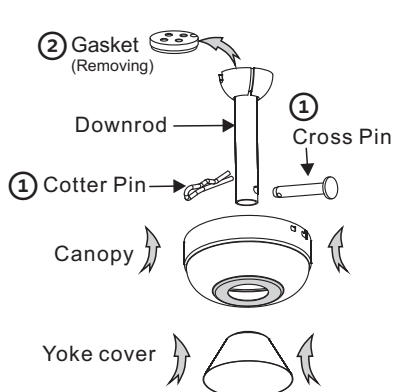


#### ② Flush mount (See Step 1E and 1F)



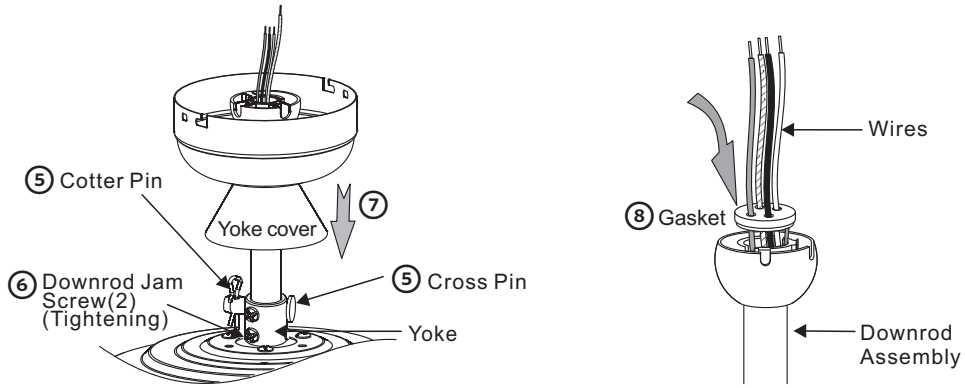
### 1C. Installing Downrod and Yoke

- ① Remove cross pin and cotter pin from downrod.
- ② Remove the pre-attached Gasket from the downrod assembly and keep for Step ⑧.
- ③ Insert downrod through canopy and yoke cover, and feed motor lead wires through downrod.
- ④ Loosen 2 downrod jam screws at yoke. Insert downrod assembly into yoke.



### 1C (Continued)

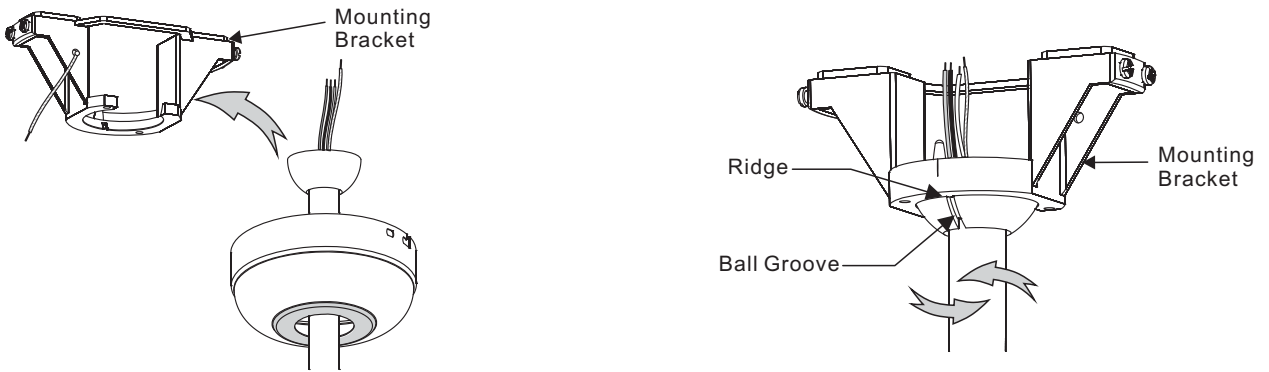
- ⑤ Insert the cross pin through yoke & downrod and secure with cotter pin.
- ⑥ Tighten both downrod jam screws to further secure downrod.
- ⑦ Pull down the yoke cover to cover yoke.
- ⑧ Insert 4 wires through holes of Gasket (Removed from Step ②), and put the Gasket back into downrod assembly.



### 1D. Hanging the fan (For Downrod mount)

Lift fan assembly onto mounting bracket.

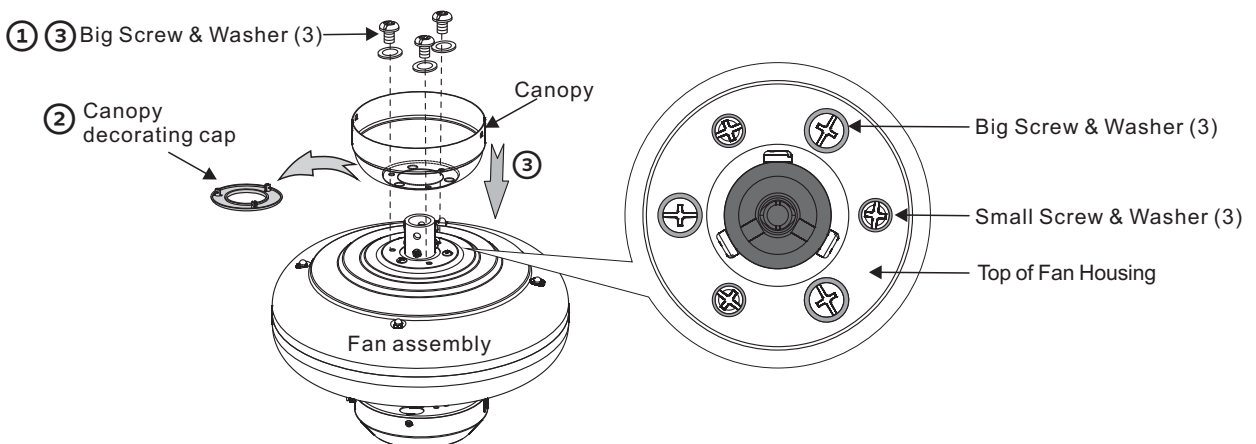
Rotate fan so that the groove on the ball engages the ridge in the mounting bracket.



### 1E. Canopy Assembly (For Flush mount)

**Note :** There are three big screws and three small screws pre-attached on top of fan assembly.

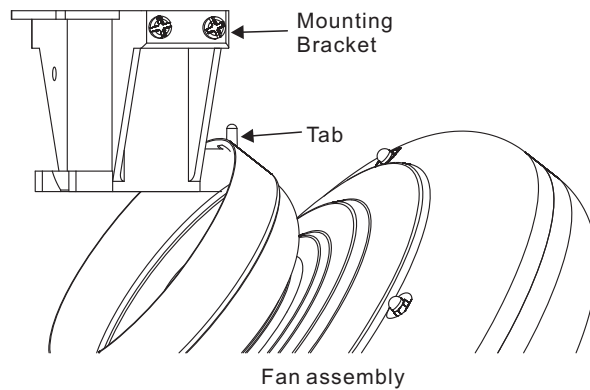
- ① Remove three big screws with washers and keep them for Step ③.
- ② Remove canopy decorating cap from bottom of canopy.
- ③ Put the canopy onto yoke, and fasten with three big screws with washers removed from Step ①.



## 1F. Hanging the fan (For Flush mount)

Lift the fan assembly and hang onto the tab on mounting bracket.

**Note:** This will permit you to make the wire connections without having to hold the fan up as well.



## 2. WIRE CONNECTION

### Making electrical wire connection

Follow diagram below and make sure that all exposed wires are secured inside wire nuts or terminal block.  
Note : Wires from house may vary in color and may not include ground wire ( green ).

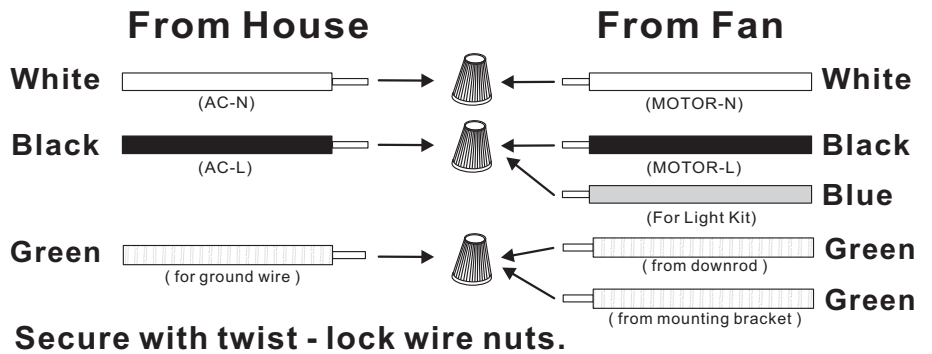
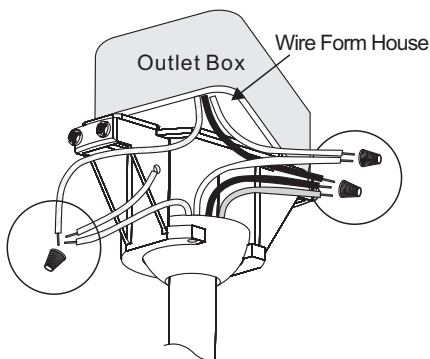
\*White wire from house to white wire from fan

\*Black wire from house to black wire and blue wire from fan

\*Ground wire from house to green wire from downrod and from mounting bracket

\*Secure with twist - lock wire nuts. (Included)

\*After wiring is completed, gently push wires into junction box with wire nuts pointing upward.



## 3. CANOPY INSTALLATION

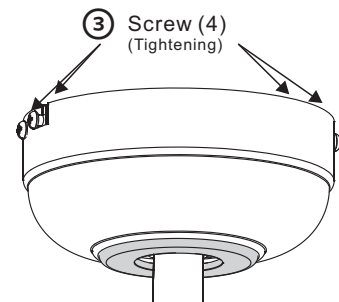
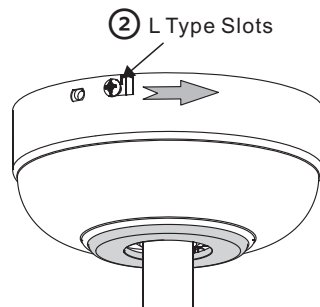
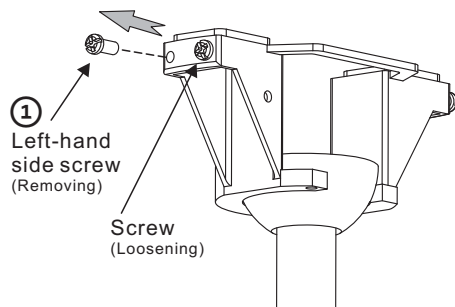
**Note:** Four screws are pre-screwed on mounting bracket for canopy installation.

① Remove left-hand side screw on mounting bracket first and loosen the other one.

(**Note:** Please do the same for the other two screws on the across side of mounting bracket.)

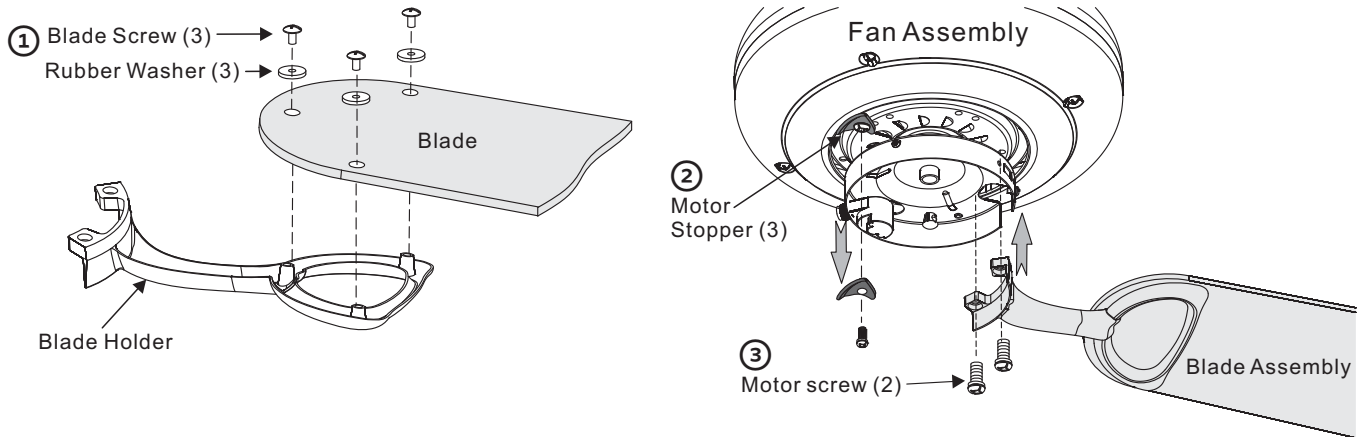
② Rotate the canopy slightly until both two loosening screws are in the holes of L type slots.

③ Tighten 4 screws firmly.



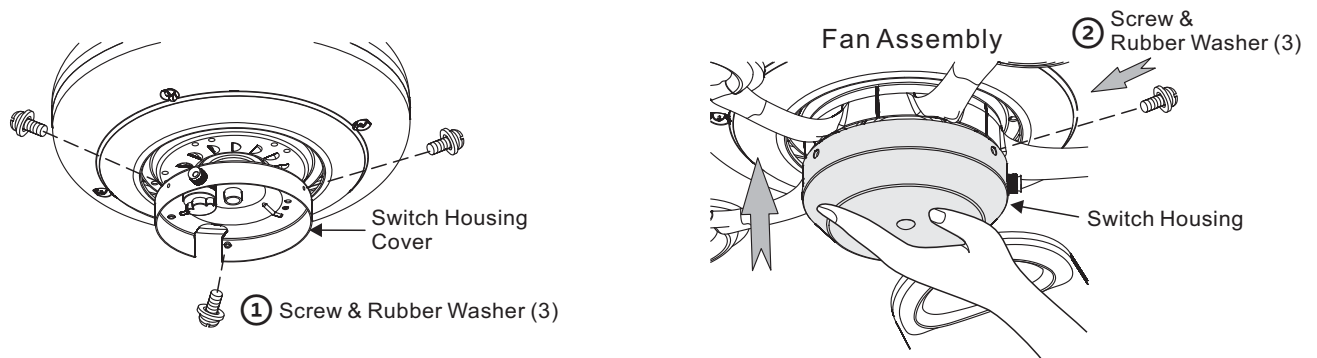
## 4. BLADE INSTALLATION

- ① Attach blade to blade holder with 3 blade screws and 3 rubber washers provided from hardware bag. Make sure all screws are firmly tightened.
  - ② Remove 3 motor stoppers by removing screws.
  - ③ Secure Blade Assembly to the motor with 2 motor screws provided from hardware bag.
- NOTE:** To prevent wobble, do not bend blade or blade holder.



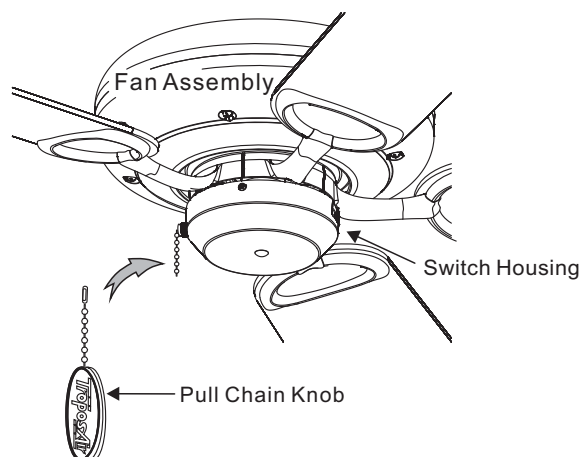
## 5. SWITCH HOUSING INSTALLATION

- ① Remove 3 set screws & rubber washers from switch housing cover and keep them for Step ②.
- ② Fasten switch housing and the cover together with 3 set screws & rubber washers removed from Step ①.



## 6. PULL CHAIN KNOB INSTALLATION

Connect Pull Chain Knob provided from hardware bag to the pull chain from switch housing.



**7. Turn on the power at breaker box - your fan is ready for operation.**