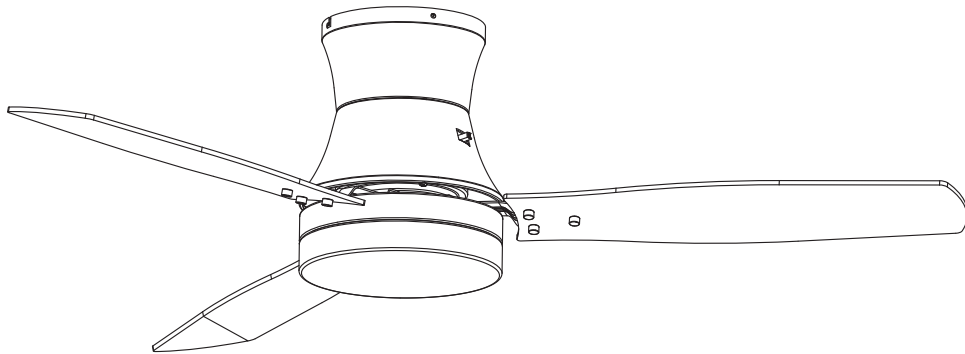


Owner's Manual

TroposAir
Modernaire



3RO52+LK902

This instruction contains 6 pages:

- Page 1: Foreword
- Page 2: Unpack and inspect parts contained
- Page 3: Notes before installation Hanging system installation
- Page 3~4: Wire connection and Canopy installation
- Page 5: Blade installation and Light kit installation
- Page 6: Remote



Toll Free: 1-855-676-7247

Net weight

6.7 KGS.
14.76 LBS.

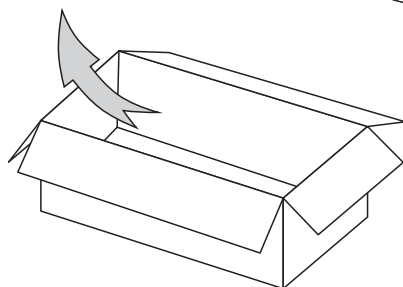
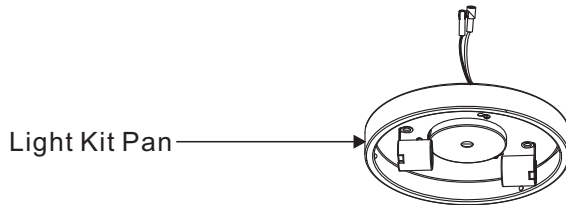
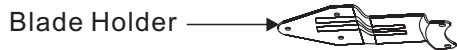
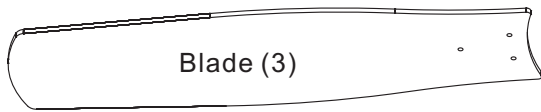
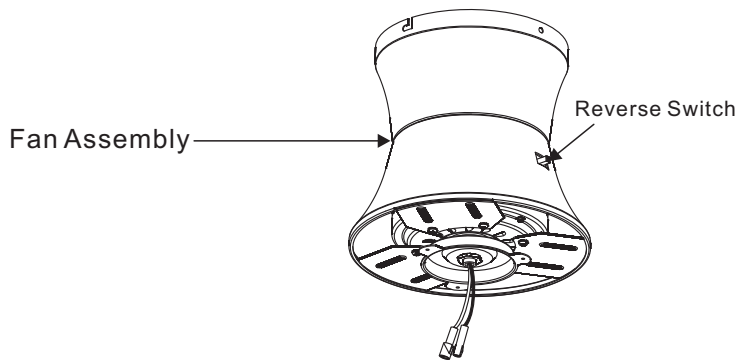
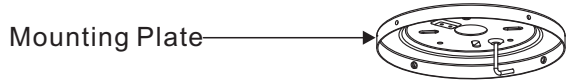
WARNING : Read and follow these instructions carefully and be mindful of all warnings shown throughout.

READ AND SAVE THESE INSTRUCTIONS

WARNING : TO REDUCE THE RISK OF FIRE, ELECTRICAL SHOCK, OR INJURY TO PERSONS, PLEASE OBSERVE THE FOLLOWING :

- 1]. To ensure the success of the installation, be sure to read the instructions and review the diagrams thoroughly before beginning. Two people recommended for fan installation.
- 2]. To avoid possible electric shock, be sure electricity is turned off at the main power box before wiring. All electrical connections must be made in accordance with local codes, ordinances and/or the National Electric Code. If you are unfamiliar with the methods of installing electrical wiring and products, secure the services of a qualified and licensed electrician as well as someone who can check the strength of the supportive ceiling members and make the proper installations and connections.
- 3]. Make sure that your installation site will not allow rotating fan blades to come in contact with any object. Blades should be at least 7 feet from floor when fan is in operation.
- 4]. If possible, mount ceiling fan on a ceiling joist - the joist must be able to support the motion and weight of the moving fan. If the fan will be mounted on a ceiling outlet box, a 4" x 2-1/8" deep METAL octagon box is required ; one UL listed as " suitable for fan support ". The box and its supporting members must not be able to twist or work loose. **DO NOT USE PLASTIC BOXES.** Installation on a concrete ceiling should be performed by qualified personnel.
- 5]. Blades should be attached after motor housing is hung and in place. Fan motor housing should be kept in carton until ready to be installed to protect its finish. If you are installing more than one ceiling fan, make sure that you do not mix fan blade sets.
- 6]. After making electrical connections, spliced conductors should be turned upward and pushed carefully up into outlet box. The wires should be spread apart with the grounded conductor and the equipment - grounding conductor on one side of the outlet box and the " HOT " wires on the other side.
- 7]. Electrical diagrams are for reference only. Light kits that are not packed with the fan must be ETL listed and should be installed per the light kit's installation instructions.
- 8]. After fan is completely installed, check to make sure that all connections are secure to prevent fan from falling and/or causing damage or injury.
- 9]. The fan can be made to work immediately after installation. The bearings are adequately charged with grease so that, under normal conditions, further lubrication should not be necessary.
- 10]. The fan must be turned off and stopped before reversing fan direction.
- 11]. **This fan is flush mount / hugger for low ceiling.**
- 12]. **This fan is reversible.**
- 13]. **This fan is controlled by remote.**
- 14]. **This fan is suitable for indoor location use.**

Unpack and inspect fan carefully to be certain all contents are included.



Hardware Bag

For Mounting Plate:

- Flat Washer x4
- Spring Washer x4
- Wood Screw x4
- Machine Screw x4

For Wire Connection:

- Wire Nut x 3

For Blade Installation:

- Blade Screw x 10 (one spare screw included)



- Blade Screw Nut x 10 (one spare nut included)



- Motor Screw x 7 (one spare screw included)

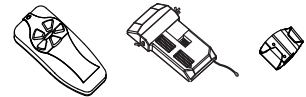


For Blade Balance :

- Balanced slide x 1
- Weight block (3G x 3)



Remote*Battery Included



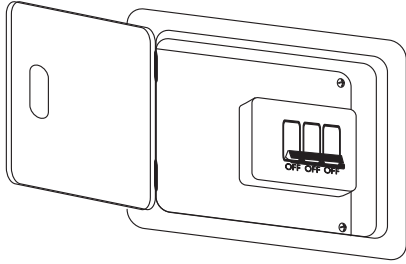
Hardware Bag

- Wood Screw x 2
- Wire Nut x 5

WARNING: blades should be at least 7 feet from floor

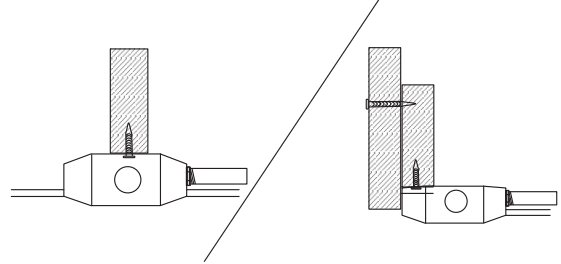
Note 1:

Turn off power at breaker box to avoid possible electrical shock.



Note 2:

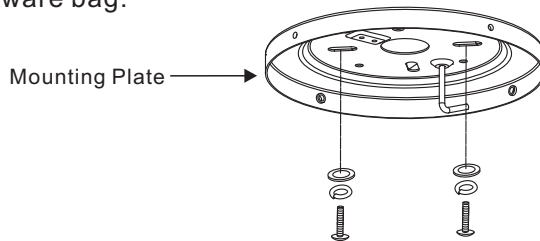
Use metal outlet box suitable for fan support. Outlet box must support 35 lbs min.



1. HANGING SYSTEM INSTALLATION

1A. Installing mounting plate to ceiling outlet box

Install mounting plate to outlet box in ceiling by using screws included with the outlet box and washers from the hardware bag.



2. WIRE CONNECTION

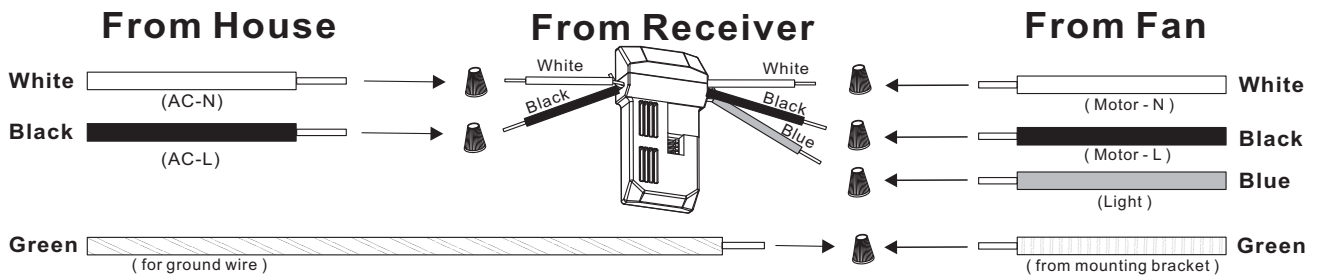
2A. Making electrical wire connection.

Follow diagram below and make sure that all exposed wires are secured inside wire nuts.

Note: Wires from house may vary in color and may not include ground wire (green).

After wiring is completed, collect wires neatly inside hanging base.

- *White wire from house to white wire from receiver
- *Black wire from house to black wire from receiver
- *Blue wire from fan to blue wire from receiver.
- *White wire from fan to white wire from receiver
- *Black wire from fan to black wire from receiver
- *Secure with twist - lock wire nuts. (Included)
- *Ground wire from house to green wire from mounting bracket.



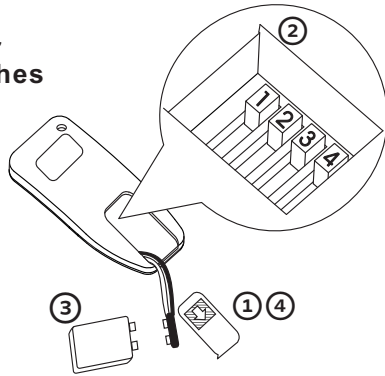
2B. Setting code switches for transmitter

Remote controls are tuned to operate together using 4 switches for 16 possible code combinations.

1. Setting the code on the TRANSMITTER

- ① Remove battery cover.
- ② Slide code switch randomly using a small screwdriver or ball point pen to slide each switch firmly up or down.
- ③ Install 9V DC battery. (Included)
- ④ Install battery cover on transmitter.

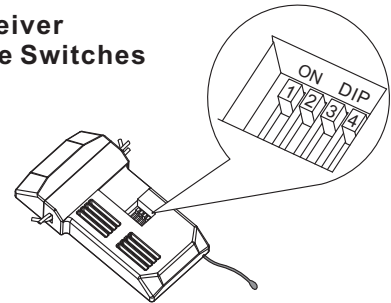
Transmitter Code Switches



2. Setting the code on the RECEIVER

Slide code switches on the Receiver to be the SAME POSITIONS as set on your Transmitter.

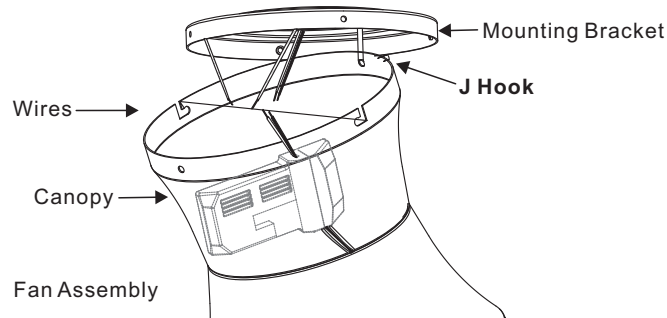
Receiver Code Switches



⚠ Warning! CFL bulbs are not applicable to the remote with dimming function.

2C. Hanging the fan

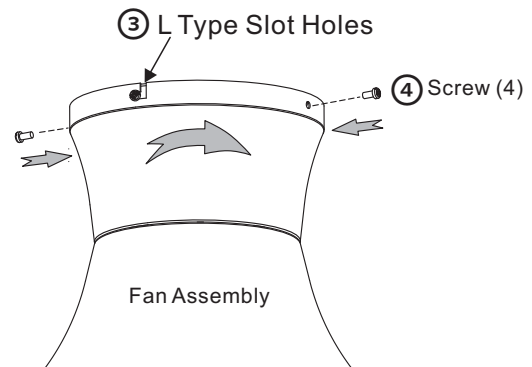
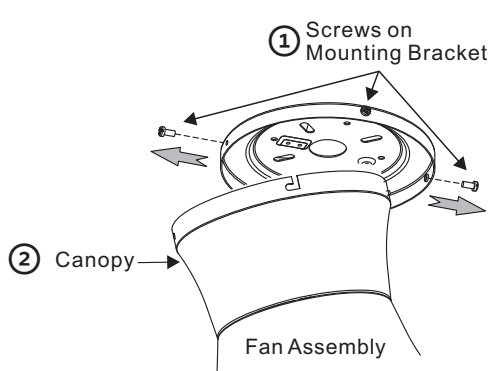
Lift the fan assembly and hang onto the **J hook** on mounting bracket. This will permit you to make the electrical connections without having to hold the fan up as well.



3. CANOPY INSTALLATION

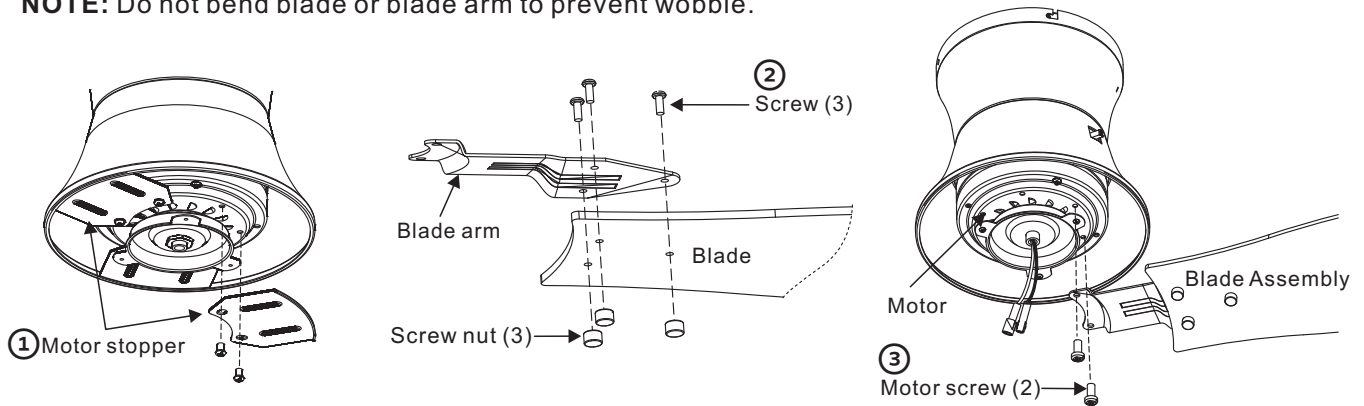
NOTE: Carefully lift the fan assembly away from the hook on mounting plate.

- ① Take off side screws (one of each across) on mounting bracket first, then loosen the other two.
- ② Push up the canopy until the two screws on mounting bracket are engaged with L type slot holes on canopy.
- ③ Rotate the canopy slightly until the two screw heads are in the L type slot holes.
- ④ Tighten 4 screws firmly.



4. BLADE INSTALLATION

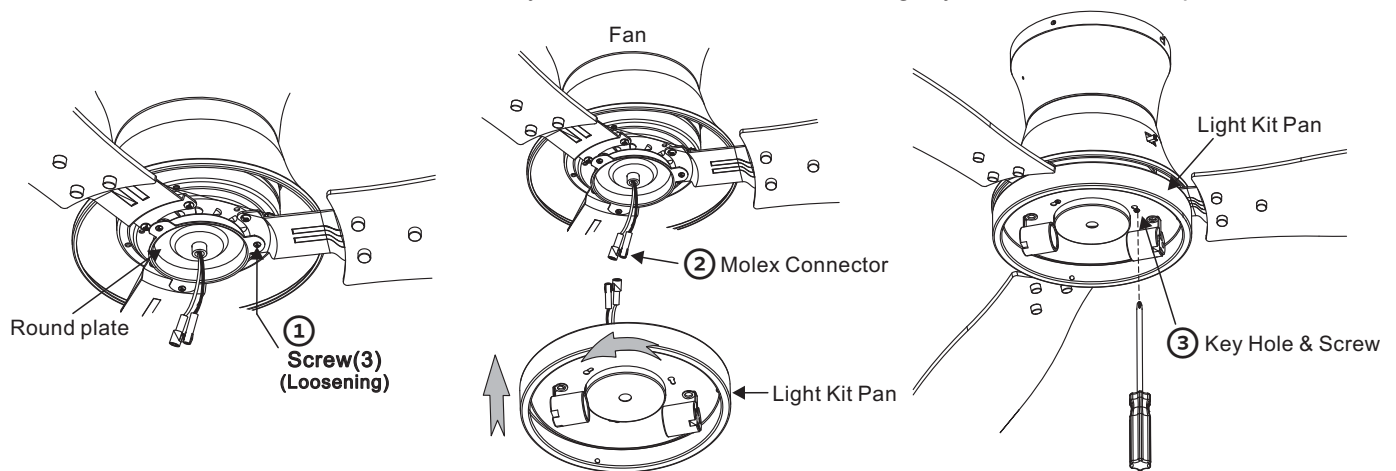
- ① Remove 3 pcs of motor stoppers.
 - ② Attach blade to blade arm with screws and screw nuts provided from hardware bag. Make sure that all Screws are firmly tightened.
 - ③ Attach the blade assembly to motor by attaching motor screws on blade holder.
- NOTE:** Do not bend blade or blade arm to prevent wobble.



5. LIGHT KIT INSTALLATION

5A. Make wire connections for light kit

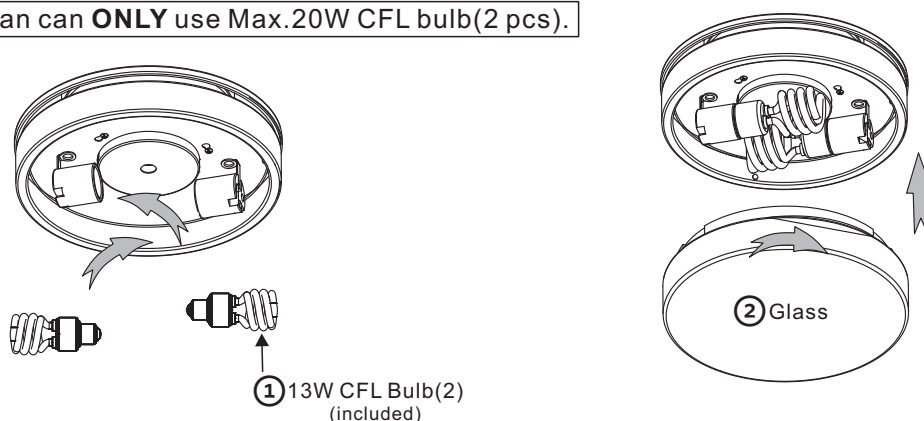
- ① Loosen 3 screws of round plate for step ③
- ② Connect Molex connectors from light kit pan to Molex connectors from fan. Tuck wires and connectors in recess of round plate and light kit pan for next step.
- ③ Align light kit pan so 3 screws of round plate come through keyholes. Rotate light kit pan slightly so that screws are in the small ends of the keyholes, then fasten 3 screws tightly. Be careful to not pinch wires



5B. Bulb and glass Installation

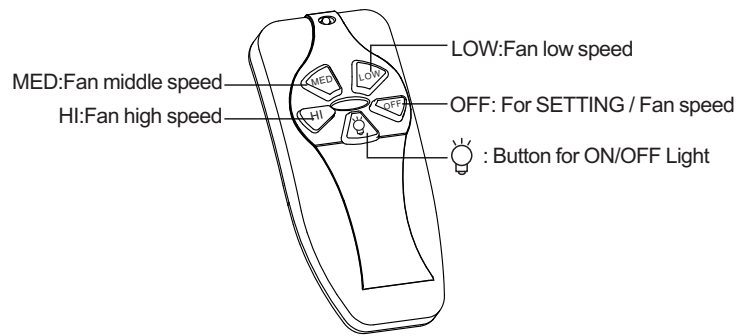
- ① Install bulbs (Included) to lamp holders on light fixture.
- ② Attach & rotate glass shade clockwise to light kit pan.

NOTE: This Fan can **ONLY** use Max.20W CFL bulb(2 pcs).



6. REMOTE

NOTE : Make sure transmitter and receiver have the same code for fan operation.



7. Turn on the power - your fan is ready for operation.