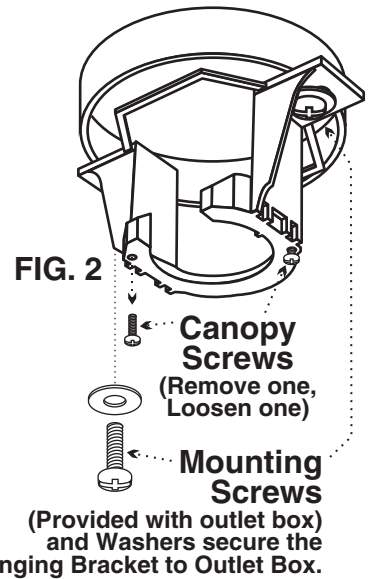
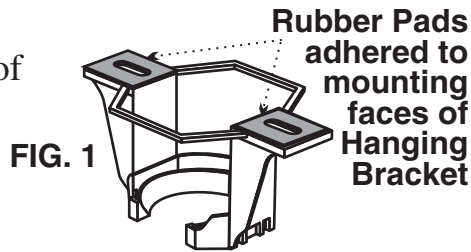




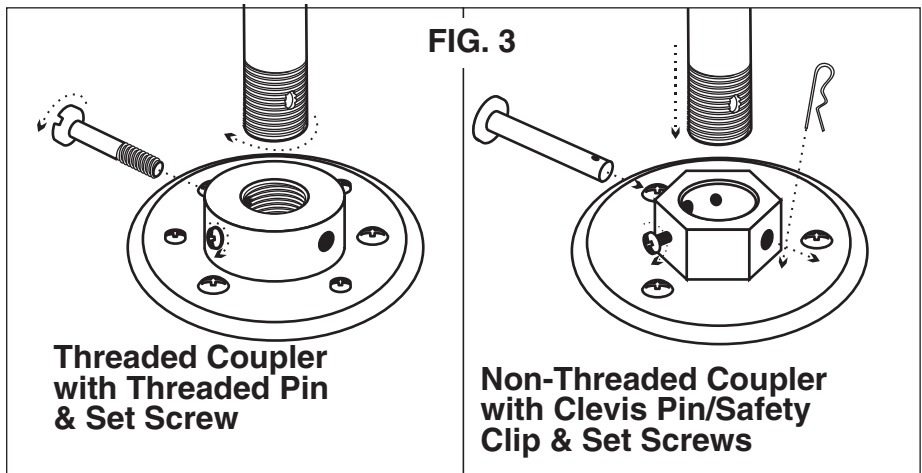
Hanging Kit #300 Instruction Sheet

1. Be sure the Rubber Pads are adhered to the mounting faces of the Hanging Bracket.

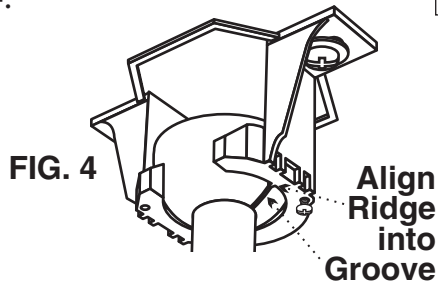


2. Remove one and loosen the other Canopy Screw in the bottom of the hanging bracket. Securely attach the Hanging Bracket to the Outlet Box (using the screws provided with the outlet box). See Fig. 2.

3. Attach the Ball and Downrod assembly to the fan's motor assembly. Fig. 3.

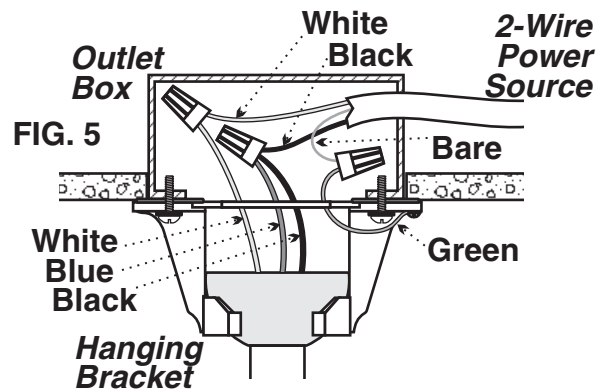


4. Carefully lift the fan's motor assembly and position the Ball in the Hanging Bracket so that the groove in the Ball engages the ridge of the Hanging Bracket. Fig. 4.



5. Make Electrical Connections.

Basic wiring shown (2-wire cable plus ground):
 - White wire from fan to white wire from source.
 - Black and Blue wires from fan to black wire from source.
 - Green wires from Hanging Bracket and Ball to bare ground wire from source. Fig 5. After connections are made, turn them upward and push them carefully into the outlet box.



6. Raise the canopy up to the Hanging bracket aligning it so that the Canopy Screw remaining in the Hanging Bracket comes through the large end of the key-slot hole of the Canopy. Re-install the Canopy Screw that was removed earlier and tighten both. Fig. 6.

