

# *Tropos Air*

## *Light Kit Installation Instructions*

Light Kit Weight

KGS
LBS

READ AND SAVE THESE INSTRUCTIONS

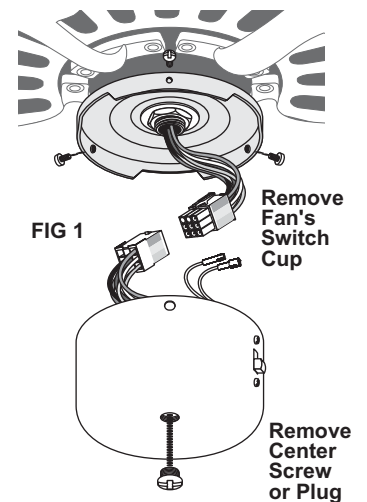
**TO AVOID RISK OF FIRE OR ELECTRIC SHOCK,  
TURN OFF THE POWER AT THE SOURCE!  
ALL ELECTRICAL CONNECTIONS MUST BE IN ACCORDANCE  
WITH LOCAL AND NATIONAL ELECTRICAL CODES!**

**CAUTION:** To reduce the risk of fire or electrical shock, the light kit should only be used with Troposair ceiling fan models. Before starting installation, disconnect the power by turning off the circuit breaker or removing the fuse at the fuse block. Turning off power using fan switch (speed control, on/off) is not sufficient to prevent electrical shock.

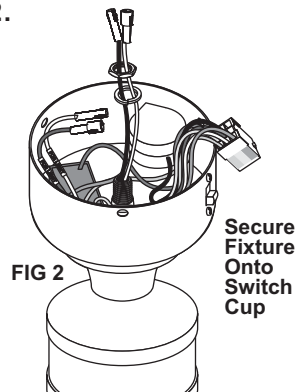
## 1. HANGING SYSTEM INSTALLATION

① Remove the Switch Cup from the fan, if it is already assembled. There are three screws around the upper portion of the cup holding it in place; you may need to remove them all or only remove one and loosen the other two depending on the design of the switch cup. Disengage the wire connector. **Fig 1.**

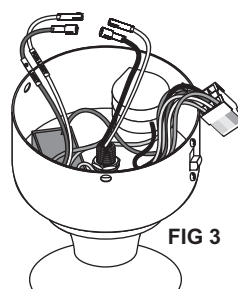
② Remove the center screw/plug from the center hole of the switch cup. Also **Fig 1.** feed both of the light kit wires through the center hole together and up through the middle of the wiring and components. While keeping the light kits wires from twisting, thread the switch cup onto the light kit until it is snug.



③ Feed both of the light kit wires through the split washer and nut provided. Thread these onto the light kit's threaded post and tighten securely. **Fig 2.**

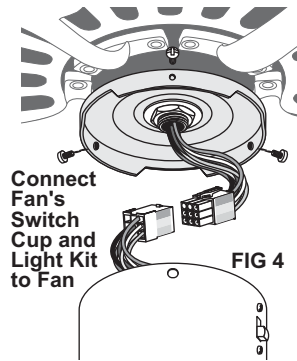


④ Connect moxex connector from light kit to moxex connector from fan.



⑥ Reattach the wire connector of the switch cup to the fan. The connector is color coded and notched to fit only one way. **Fig 4**

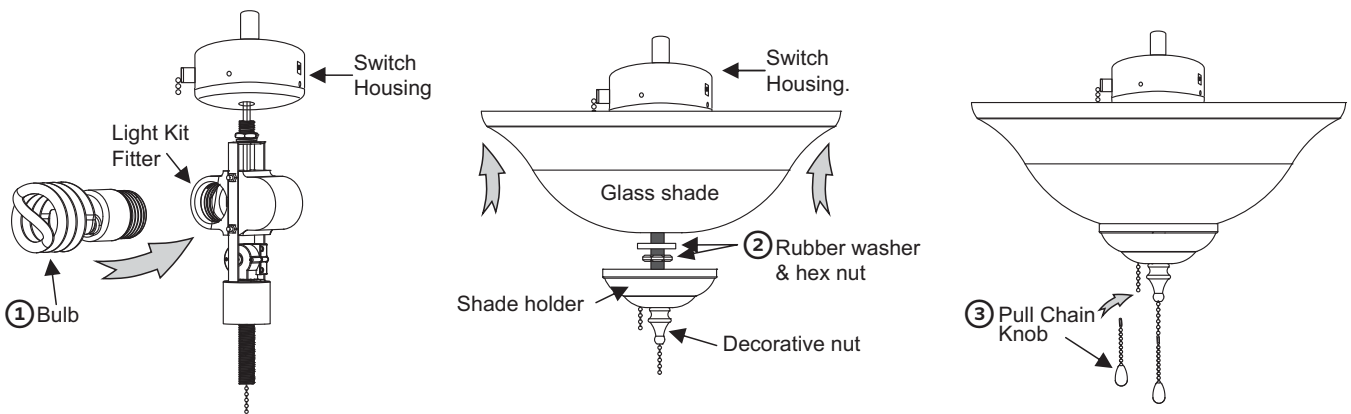
⑦ Reattach the switch cup to the fan using the three screws loosened and/or removed earlier.



**CAUTION: If there are Compact Fluorescent Lamps (CFLs) included in this package, do not operate them by any type of variable control (dimmer, remote or wall control). Use Only On/Off Type Switches With CFLs.**

### Light kit installation(For LK175)

- ① Install light bulbs(13W CFLx2,included) to lamp holders on light fixture.
- ② Attach glass shade onto light kit fixture via Hex nut, rubber washer shade holder secured by decorative nut.
- ③ Connect pull chain knob to pull chain.



### Light kit installation(For LK176)

- ① Install light bulbs(13W CFLx2,included) to lamp holders on light fixture.
- ② Pull metal clip(the one with spring) from light kit for attaching the glass shade.
- ③ Attach glass shade to light kit and secure with metal clip with spring.
- ④ Connect pull chain knob to pull chain.

